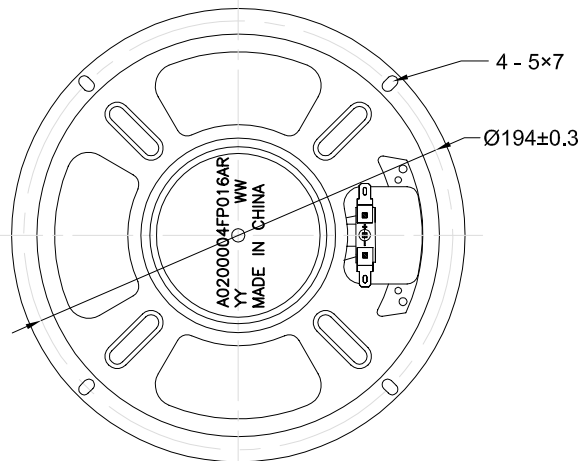
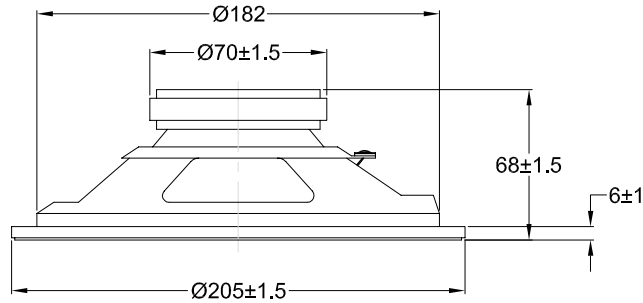


REV	DATE	ID	DESCRIPTION
0.0	10-Apr-02	VU	Original Drawing
1.0	3-Jul-02	EW	Changed Fo to Reduce Noise at Rated Power
1.1	22-Mar-06	EW	Revised Various Functional Characteristics
1.2	23-Aug-06	EW	Added 'R' for RoHS Compliance
1.3	28-Sep-06	RC	Added p/n markings
1.4	29-Sep-06	RC	Revised p/n markings
1.6	14-Nov-06	SS	Changed SPL from 86 to 88.5 dB
1.5	15-Nov-06	RC	Updated remarks under impedance

DIMENSIONS



FUNCTIONAL CHARACTERISTICS and RELIABILITY TESTING

Parameter	Specification	Remarks
1 Dimensions	φ205mm x 68mm	Outside Dimension
2 Impedance	4Ω ±15%	1.0V _{RMS} @ 0.6kHz
3 Power Input	10W/ 15W	(RMS/Peak)
4 Lowest Resonant Frequency, F ₀	120 ± 24Hz	Constant Voltage (1.0V _{RMS})
5 Sensitivity	88.5 ± 3dB	Measured @ 1.0W/1.0m Averaged(0.3kHz, 0.5kHz, 0.8kHz and 1.0kHz)
6 Effective Frequency Range	F ₀ to 10kHz	Max. Deviation +/- 15dB. (1.0W/1.0m)
7 Total Harmonic Distortion	<5 %	1.0W/1.0m @ 1.0kHz
8 Polarity	When a positive DC current is applied to the Terminal marked +, the diaphragm shall move forward	
9 Magnet	φ70 x 32 x 10mm	Ferrite (OD x ID x h)
TESTS		
1 Extraneous Noise	6.3V _{RMS} is applied from F ₀ to 20kHz.	No Buzzes or Rattles shall occur
2 Insulation Withstand	Speaker must withstand 100V _{DC} for 1 minute and 100V _{AC} for 1 minute being applied between terminals and frame.	
3 Load Test	White Noise is applied for 96 hours with a power input of 10W.	After 1 hour of rest at room ambient conditions, speakers must meet items 2 through 6.
4 High Temperature Test	Speaker is placed in an ambient of 70±3°C with a 20%-50%RH for 96 hours.	
5 Low temperature test	Speaker is placed in an ambient of -25±3°C for 96 hours.	
6 Humidity Test	Speaker is placed in an ambient of 40±3°C with a 92%RH for 96 hours.	
7 Terminal Strength	A force of 5N is applied to the terminals.	No visual damage shall occur.

All Dimensions in mm.
Tolerances are +/- 0.5 unless otherwise specified.

NOTE: All parts are to be RoHS Compliant and all Boxes/Cartons/Shipping Containers are to be marked with "RoHS Compliant"



Stetron
International
Inc.

Loudspeaker Specifications
φ205 mm, 4Ω, Paper Cone,
Ferrite Magnet, RoHS Compliant

SIZE	DRAWN BY	PART No.	
A	EW	A0200004FP016AR	
SCALE	DATE	SHEET	
N/A	15-NOV-06	1 of 1	
REV	DWG No. / FILE		
1.6		202-011	