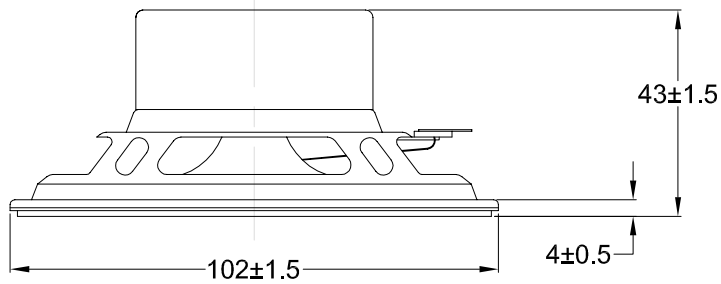


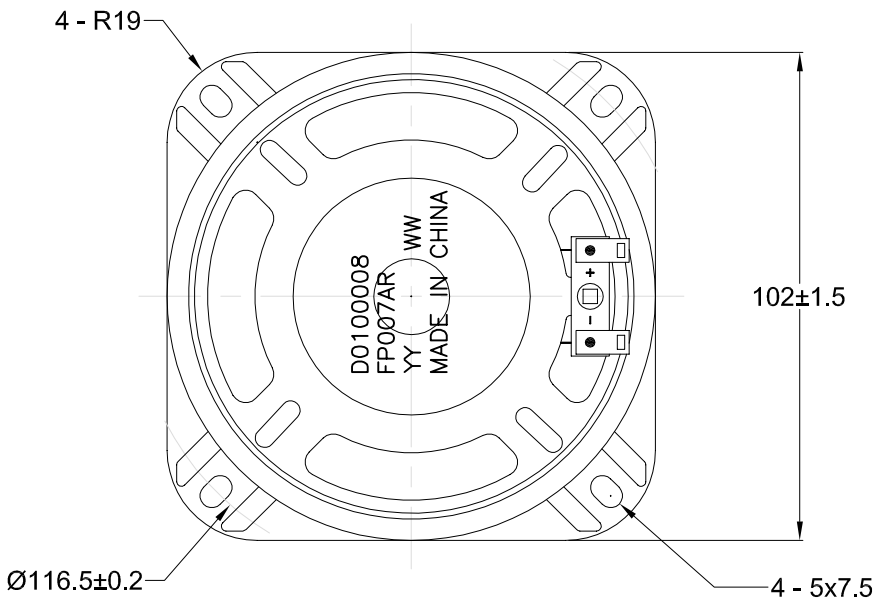
REV	DATE	ID	DESCRIPTION
0.0	13-May-02	VU	Original Drawing
1.0	24-Jun-02	VU	Total Speaker Height changed from 50mm to 48mm
1.1	31-Mar-06	EW	Revised Various Acoustic Specifications
1.2	21-Aug-06	EW	Revised Speaker Frame Tolerance
1.3	23-Aug-06	EW	Added 'R' for RoHS Compliance
1.4	28-Sep-06	RC	Added p/n markings
1.5	29-Sep-06	RC	Revised p/n markings

**DIMENSIONS**



**FUNCTIONAL CHARACTERISTICS and RELIABILITY TESTING**

Parameter	Specification	Remarks
1 Dimensions	102mm x 102mm	Outside Dimension
2 Impedance	8Ω ±15%	1.0V <sub>RMS</sub> @ 1.0kHz
3 Power Input	4W / 8W	(RMS/Peak)
4 Lowest Resonant Frequency, F <sub>0</sub>	200±40Hz	Constant Voltage (1.0V <sub>RMS</sub> )
5 Sensitivity	88±3 dB	Measured @ 1.0W/1.0m Averaged (0.3kHz, 0.4kHz, 0.5kHz and 0.6kHz)
6 Effective Frequency Range	F <sub>0</sub> to 10kHz	Max. Deviation +/- 20dB. (1.0W/1.0m)
7 Total Harmonic Distortion	<5 %	1.0W/1.0m @ 1.0kHz
8 Polarity	When a positive DC current is applied to the Terminal marked +, the diaphragm shall move forward	
9 Magnet	φ45 x φ19 x 8 / φ40 x φ19 x 6	Ferrite (OD x ID x h)



**TESTS**

1 Extraneous Noise	5.65V <sub>RMS</sub> is applied from F <sub>0</sub> to 10kHz.	No Buzzes or Rattles shall occur
2 Insulation Withstand	Speaker must withstand 100V <sub>DC</sub> for 1 minute and 100V <sub>AC</sub> for 1 minute being applied between terminals and frame.	
3 Load Test	White Noise is applied for 96 hours with a power input of 4W.	After 1 hour of rest at room ambient conditions, speakers must meet items 2 through 6.
4 High Temperature Test	Speaker is placed in an ambient of 70±3°C with a 50%RH for 96 hours.	
6 Humidity Test	Speaker is placed in an ambient of 40±3°C with a 90%RH for 48 hours.	
7 Terminal Strength	A force of 5N is applied to the terminals.	No visual damage shall occur.

All Dimensions in mm.  
Tolerances are +/- 0.5 unless otherwise specified.

NOTE: All parts are to be RoHS Compliant and all Boxes/Cartons/Shipping Containers are to be marked with "RoHS Compliant"



Stetron International Inc.

Loudspeaker Specifications  
102.5 x 102.5mm, 8Ω, Paper Cone,  
Low Profile, Shielded Magnet  
Rated Power 4 W, RoHS Compliant

SIZE	DRAWN BY	PART No.	
A	EW	D0100008FP007AR	
SCALE	DATE	SHEET	
N/A	29-SEP-06	1 of 1	
REV	DWG No. / FILE		
1.5	202-015		