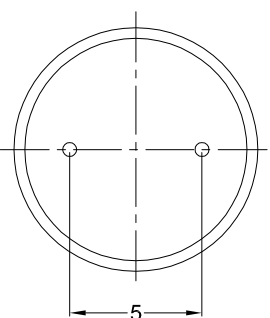
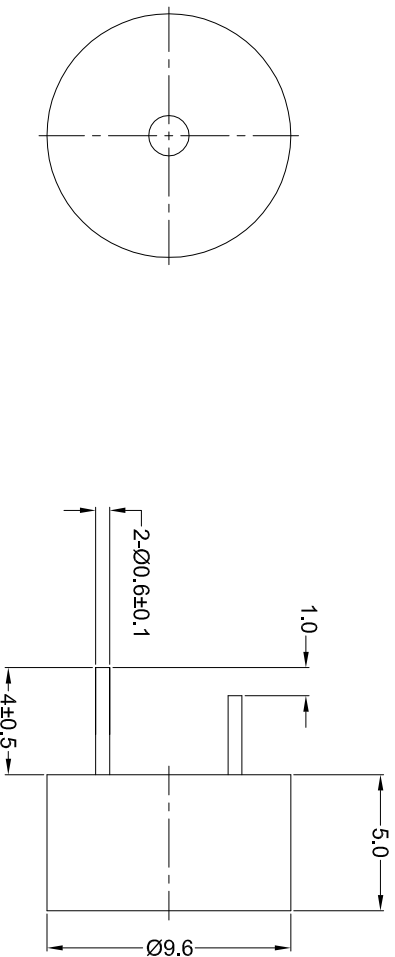


Parameter	Units	Specification
Rated Voltage	V _{dc}	5.0
Operating Voltage	V _{dc}	4.0 – 6.0
Rated Current	mA	25max
Sound Output @10cm	dB	≥80
Resonant Frequency	Hz	2600±300
Operating Temperature	°C	-25 ~ +70



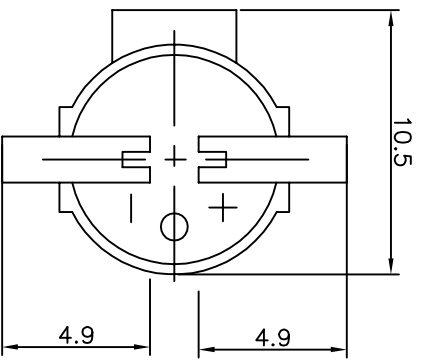
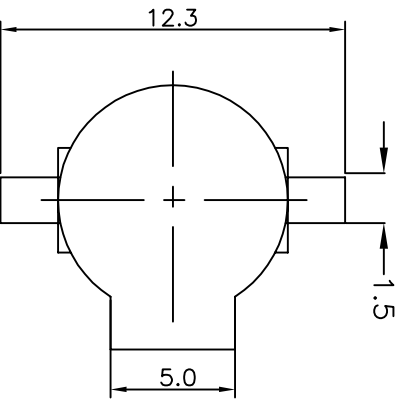
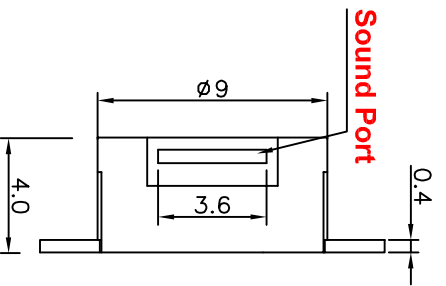
Part No. MY0509262LBS

PTH Magnetic Buzzer

Email: speakers@stetron.com

Web Site: www.stetron.com





Parameter	Units	Specification
Rated Voltage	V _{P-P}	3.0
Operating Voltage	V _{P-P}	2.0 - 4.0
Rated Current	mA	≤80
Coil Resistance	Ω	16±10%
Sound Output @10cm	dB	≥85
Resonant Frequency	Hz	2730
Operating Temperature	°C	-40 ~ +85

Part No. MB03090801PBR

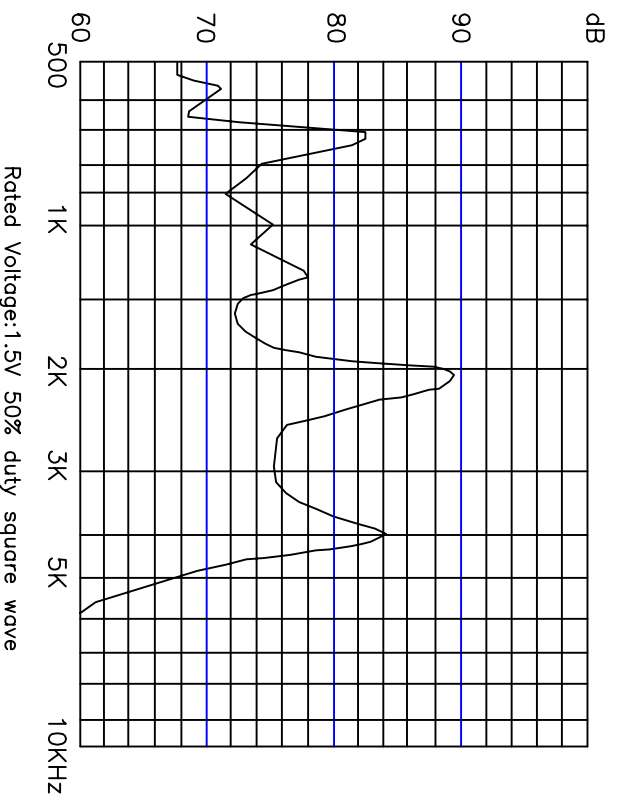
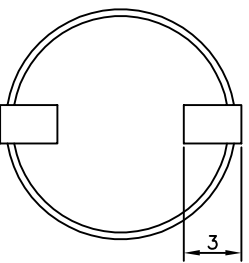
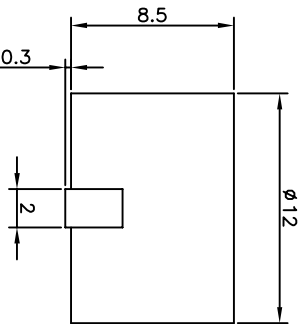
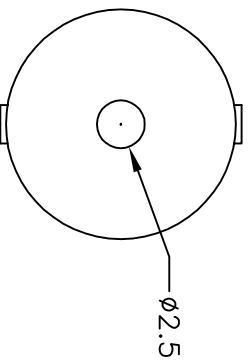
SMD Magnetic Buzzer

Email: speakers@stetron.com

Web Site: www.stetron.com



Parameter	Units	Specification
Rated Voltage	V _{P-P}	1.5
Operating Voltage	V _{P-P}	1.0 – 2.0
Rated Current	mA	≤30
Coil Resistance	Ω	50±10%
Sound Output @10cm	dB	≥85
Resonant Frequency	Hz	2048
Operating Temperature	°C	-20 ~ +85



Parameter	Units	Specification
Rated Voltage	V	12.0
Operating Voltage	V	8.0 – 15.0
Rated Current	mA	≤30
Sound Output @10cm	dB	≥85
Resonant Frequency	Hz	2300±300
Operating Temperature	°C	-30 ~ +105

