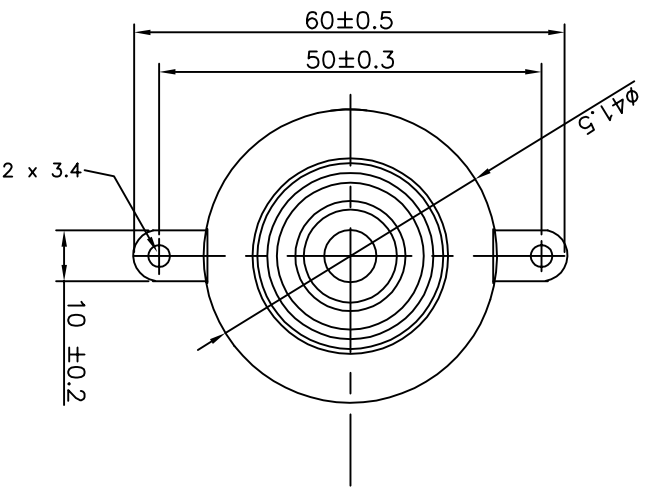
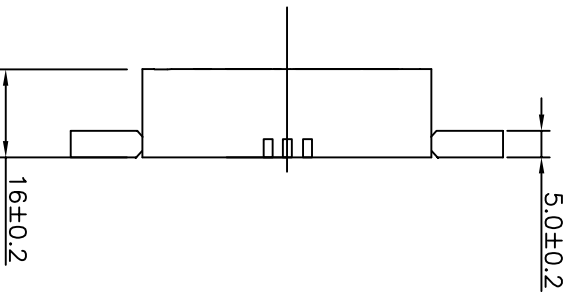
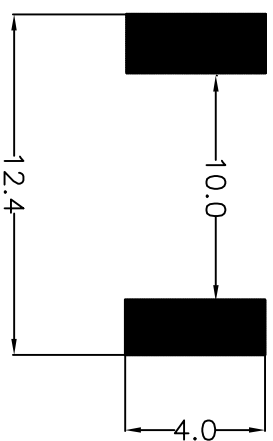
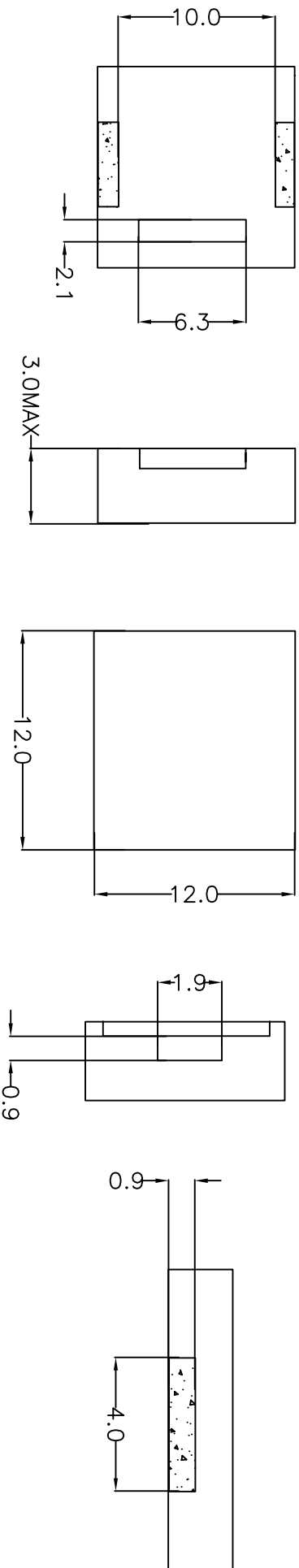


Parameter	Units	Specification
Rated Voltage	V	12.0
Operating Voltage	V	10.0 – 28.0
Rated Current	mA	≤12
Sound Output @10cm	dB	≥100
Resonant Frequency	Hz	2800±500
Operating Temperature	°C	-30 ~ +70



Parameter	Units	Specification
Rated Voltage	V _{P-P}	3.0
Operating Voltage	V _{P-P}	1.0 – 25.0
Rated Current	mA	≤5
Capacitance @120Hz	nF	15±30%
Sound Output @10cm	dB	≥77
Resonant Frequency	Hz	4000±500
Operating Temperature	°C	-40 ~ +85



Recommended soldering points pattern

Parameter	Units	Specification
Rated Voltage	V _{p-p}	5.0
Operating Voltage	V _{p-p}	4.0 – 7.0
Rated Current	mA	≤80
Coil Resistance	Ω	32±15%
Sound Output @10cm	dB	≥93
Resonant Frequency	Hz	2500
Operating Temperature	°C	-30 ~ +80

