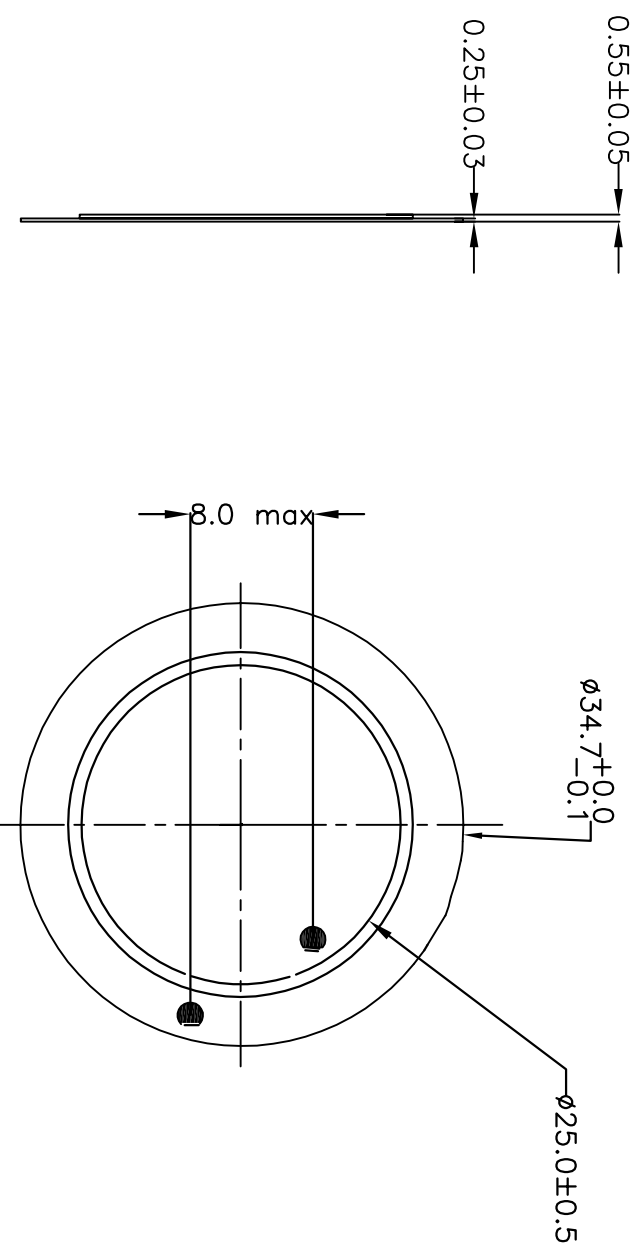


Parameter	Units	Specification
Resonant Frequency	Hz	3100±300
Capacitance	nF	26±30%
Resistance @ Resonance	Ω	≤250
Plate material	Stainless Steel	
Ceramic Coating	Epoxy	



Part No. PE3034312026C

Piezo Disc

Email: [speakers@stetron.com](mailto:speakers@stetron.com)

Web Site: [www.stetron.com](http://www.stetron.com)



Parameter	Units	Specification
Rated Voltage	V <sub>P-P</sub>	30.0
Resonant Impedance	$\Omega$	250
Capacitance @120Hz	nF	14±30%
Resonant Frequency	Hz	6500±500
Operating Temperature	°C	-20 ~ +70

