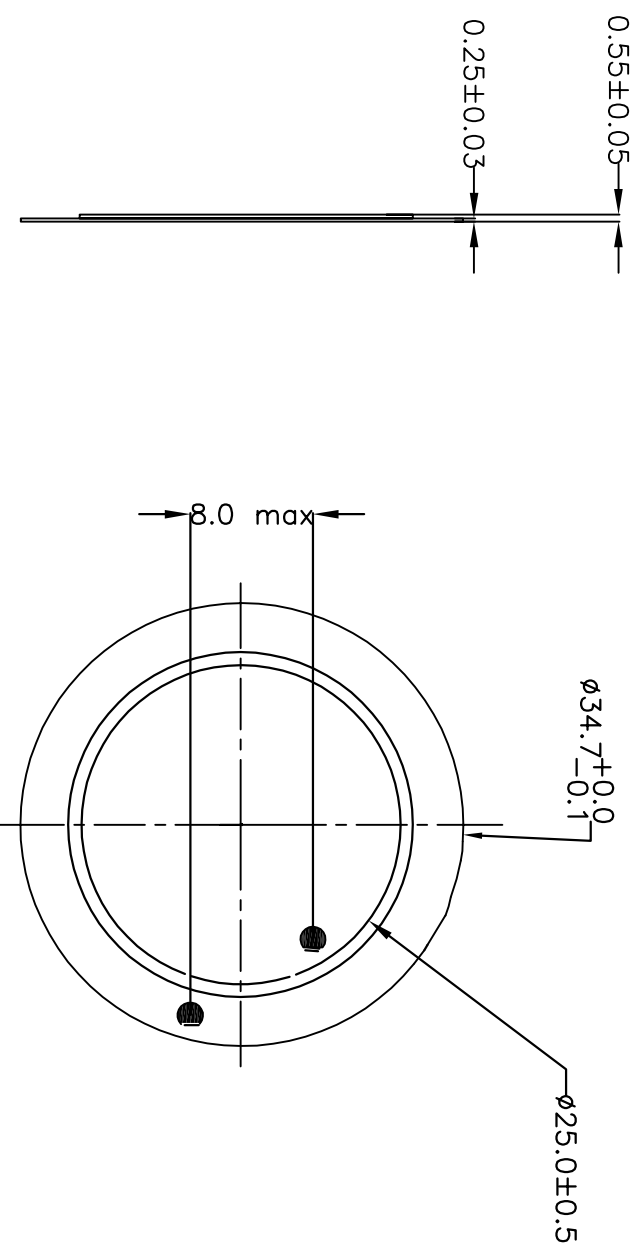


Parameter	Units	Specification
Resonant Frequency	Hz	3100±300
Capacitance	nF	26±30%
Resistance @ Resonance	Ω	≤250
Plate material	Stainless Steel	
Ceramic Coating	Epoxy	



Part No. PE3034312026C

Piezo Disc

Email: speakers@stetron.com

Web Site: www.stetron.com

