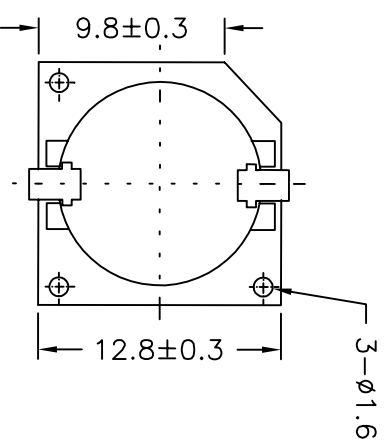
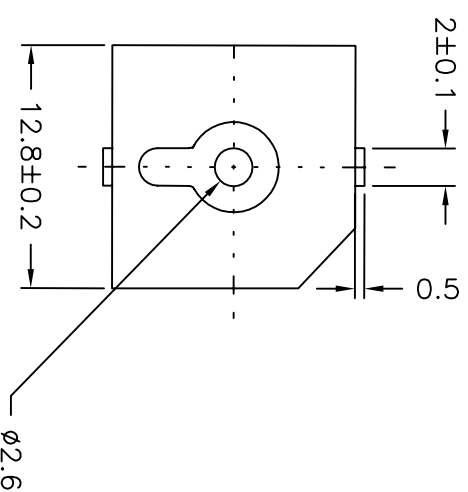
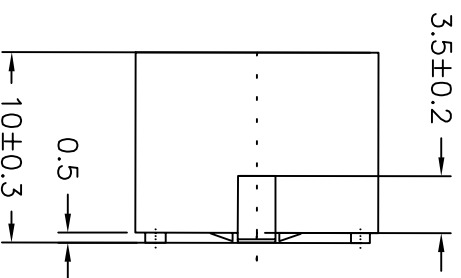


Parameter	Units	Specification
Rated Voltage	V <sub>P-P</sub>	5.0
Operating Voltage	V <sub>P-P</sub>	3.0 – 8.0
Rated Current	mA	100
Coil Resistance	Ω	16±15%
Sound Output @10cm	dB	≥95
Resonant Frequency	Hz	2500±500
Operating Temperature	°C	-20 ~ +70



Part No. PX051225216SH

SMD Magnetic Buzzer

Email: [speakers@stetron.com](mailto:speakers@stetron.com)

Web Site: [www.stetron.com](http://www.stetron.com)

