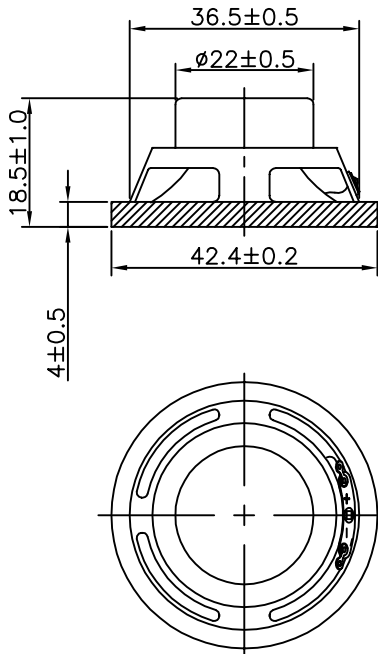


| Parameter | Specification |
|---|---------------------------|
| Dimensions | 40 x 18.5mm |
| Impedance | 4Ω ± 15% |
| Input Power | 2.0W/3.0W |
| Lowest Resonant Frequency, F ₀ | 300Hz ± 20% |
| Sensitivity @ 1.0W/1.0m | 89 ± 3 dB |
| Effective Frequency Range | F ₀ to 6.0 kHz |
| Total Harmonic Distortion | < 5% |



Specifications subject to change

Part No. D0040004NC018AR rev1.4

40 mm Speaker

Email: speakers@stetron.com

Web Site: www.stetron.com

