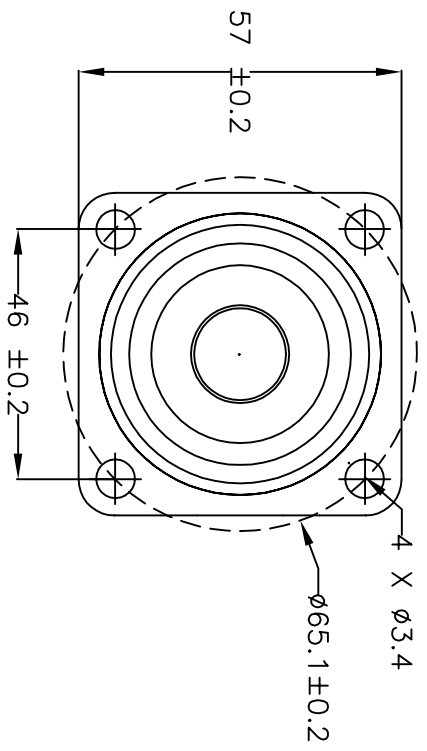
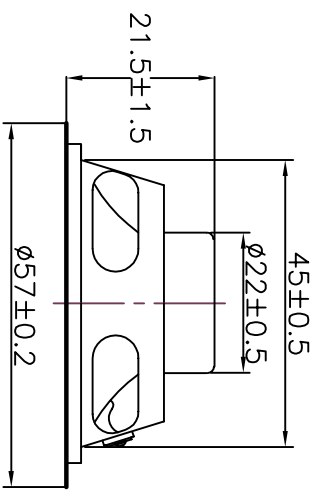


Parameter	Specification
Dimensions	57 X 57 x 23mm
Impedance	4Ω ± 15%
Input Power	1W/2W
Lowest Resonant Frequency, F <sub>0</sub>	180Hz ± 20%
Sensitivity @1W/0.5m	85dB ± 3 dB
Effective Frequency Range	F <sub>0</sub> to 10.0 KHz
Total Harmonic Distortion	< 5%



Part No. D0050004NU022FR

57 mm Speaker

Email: [speakers@stetron.com](mailto:speakers@stetron.com)

Web Site: [www.stetron.com](http://www.stetron.com)

