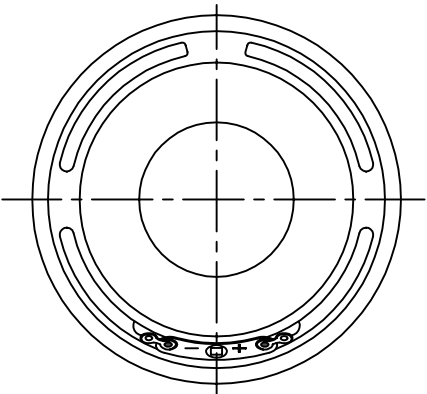
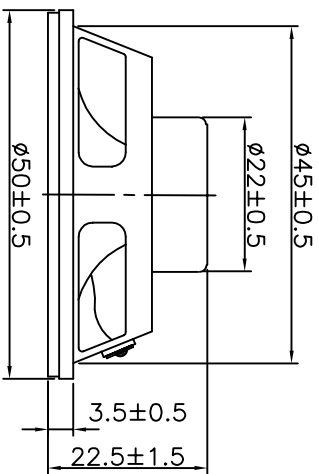


Parameter	Specification
Dimensions	50 x 23mm
Impedance	50Ω ± 15%
Input Power	1W/2W
Lowest Resonant Frequency, F ₀	180Hz ± 20%
Sensitivity @1W/0.5m	85dB ± 3 dB
Effective Frequency Range	F ₀ to 10.0 KHz
Total Harmonic Distortion	< 3%



Part No. D0050050NU022AR

50 mm Speaker

Email: speakers@stetron.com

Web Site: www.stetron.com

