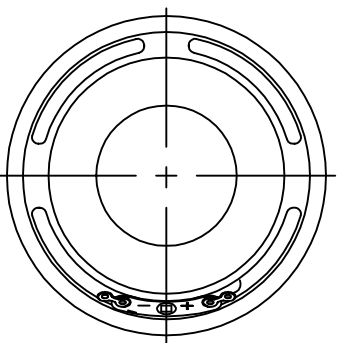
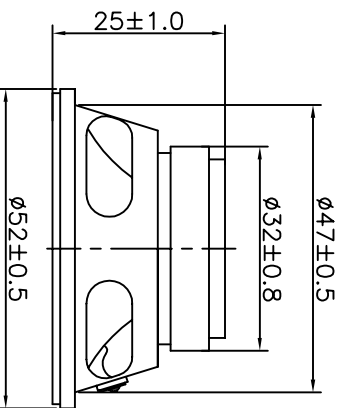


Parameter	Specification
Dimensions	52 x 25mm
Impedance	8Ω ± 20%
Input Power	0.25W/0.5W
Lowest Resonant Frequency, F ₀	180Hz ± 20%
Sensitivity @1W/0.5m	83dB ± 3 dB
Effective Frequency Range	F ₀ to 10.0 kHz
Total Harmonic Distortion	< 7%



Part No. D0052008FU10FAR

52 mm Speaker

Email: speakers@stetron.com

Web Site: www.stetron.com

