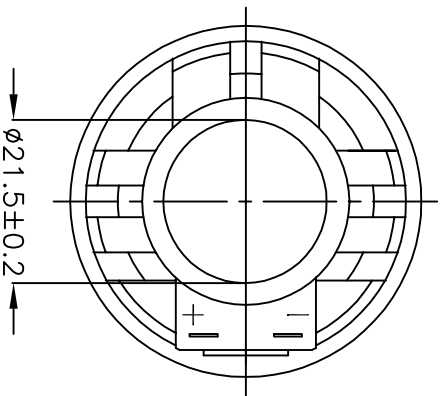
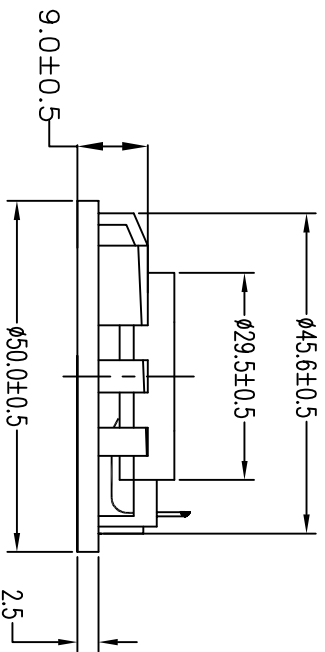


Parameter	Specification
Dimensions	50 x 17mm
Impedance	32Ω ± 15%
Input Power	0.5W/1.0W
Lowest Resonant Frequency, F ₀	300Hz ± 20%
Sensitivity @1W/0.5m	88 ± 3 dB
Effective Frequency Range	F ₀ to 8.0 KHz
Total Harmonic Distortion	< 5%



Part No. P0050032FM039AR

50 mm Speaker

Email: speakers@stetron.com

Web Site: www.stetron.com

