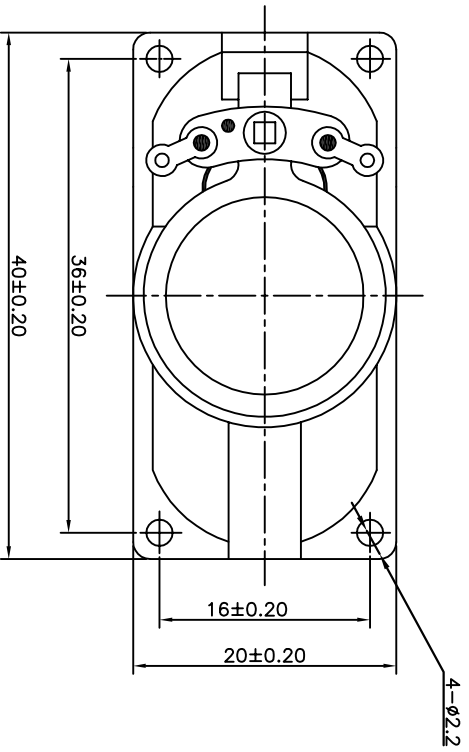
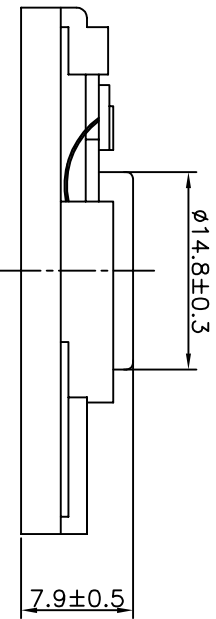


Parameter	Specification
Dimensions	40 x 20 x 8mm
Impedance	8Ω ± 15%
Input Power	1W/2W
Lowest Resonant Frequency, F ₀	700Hz ± 20%
Sensitivity @1W/0.5m	89 ± 3 dB
Effective Frequency Range	F ₀ to 10.0 KHz
Total Harmonic Distortion	< 5%



4- ϕ 2.2

