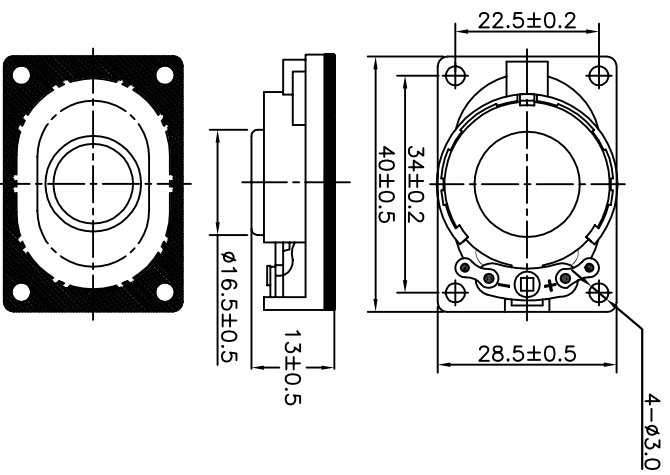


Parameter	Specification
Dimensions	40 x 28 x 12mm
Impedance	8Ω ± 15%
Input Power	1W/2W
Lowest Resonant Frequency, F ₀	450Hz ± 20%
Sensitivity @1W/0.5m	85 ± 3 dB
Effective Frequency Range	F ₀ to 15.0 KHz
Total Harmonic Distortion	< 5%



Part No. P4028008NM1006AR

40 x 28 mm Speaker

Email: speakers@stetron.com

Web Site: www.stetron.com

