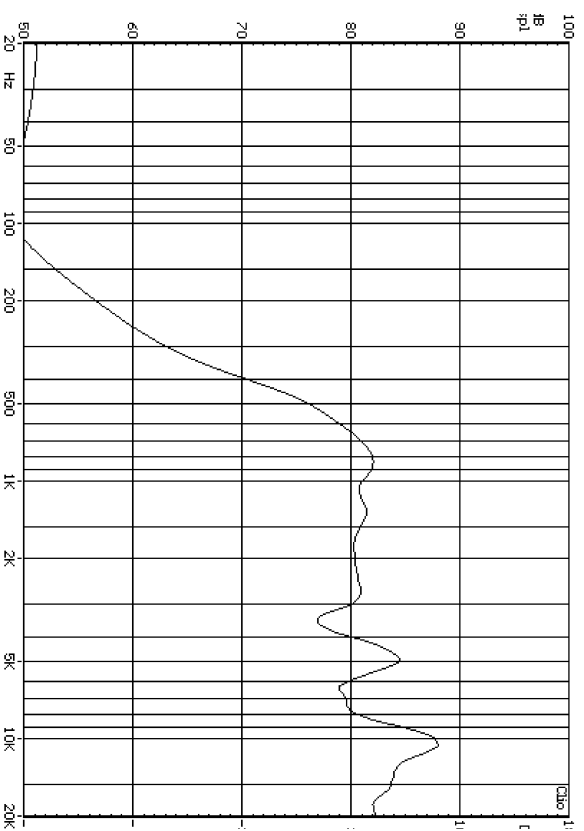
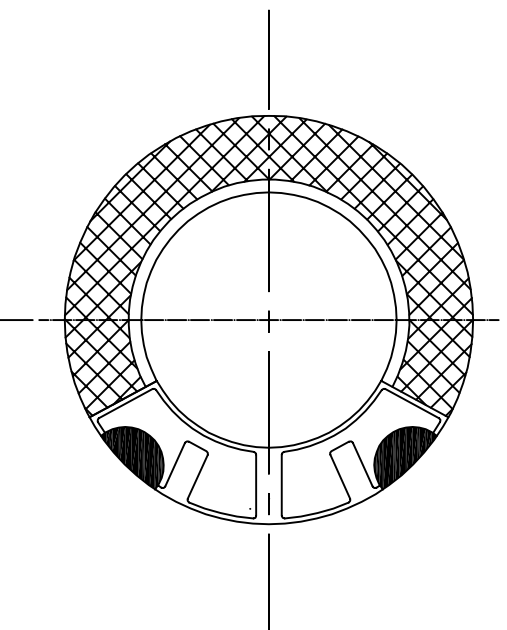
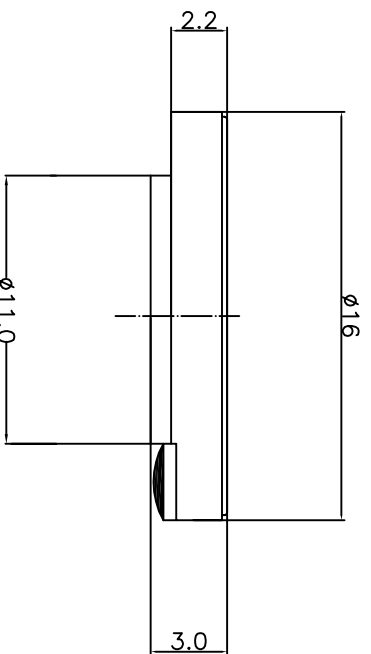


Parameter	Specification
Dimensions	16x 3mm
Impedance	8Ω ± 15%
Input Power	0.2W/0.3W
Lowest Resonant Frequency, F ₀	750Hz ± 20%
Sensitivity @ 0.2W/0.5m	76 ± 3 dB
Effective Frequency Range	F ₀ to 15.0 kHz
Total Harmonic Distortion	< 5%



Part No. U0016008NM018AR

16 mm Speaker

Email: speakers@stetron.com

Web Site: www.stetron.com

