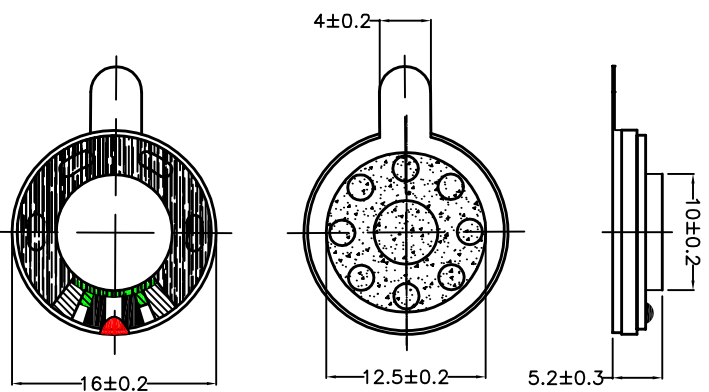


Parameter	Specification
Dimensions	16 x 4.5mm
Impedance	16Ω ± 15%
Input Power	0.3W/0.5W
Lowest Resonant Frequency, F ₀	800Hz ± 20%
Sensitivity @ 0.3W/0.5m	79 ± 3 dB
Effective Frequency Range	F ₀ to 15.0 KHz
Total Harmonic Distortion	< 15%



Part No. U0016016NM03BAR

16 mm Speaker

Email: speakers@stetron.com

Web Site: www.stetron.com

