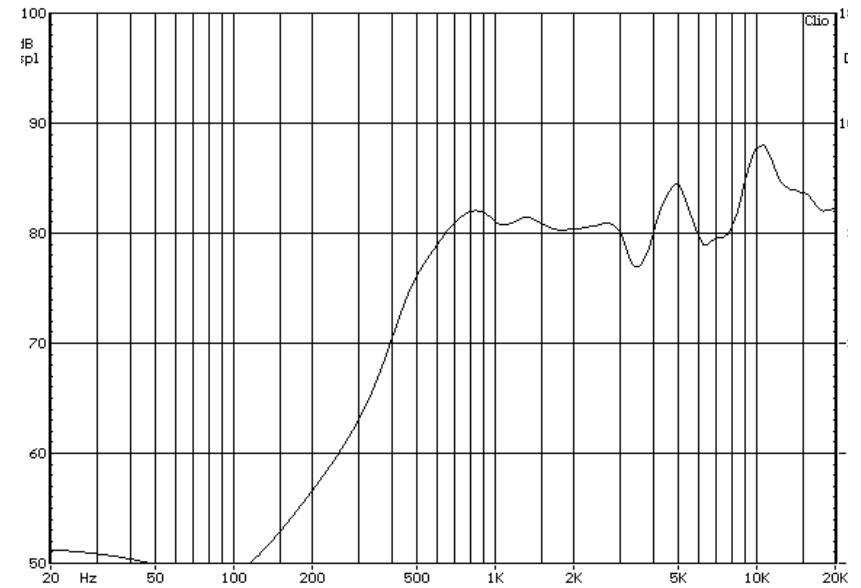
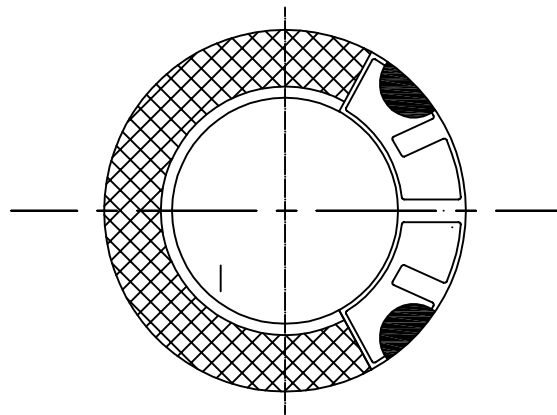


Parameter	Specification
Dimensions	16x 4mm
Impedance	$16\Omega \pm 15\%$
Input Power	0.5W/0.8W
Lowest Resonant Frequency, $F_0$	$800\text{Hz} \pm 20\%$
Sensitivity @ 0.3W/0.5m	$79 \pm 3 \text{ dB}$
Effective Frequency Range	$F_0$ to 15.0 kHz
Total Harmonic Distortion	Max 15%



Specifications subject to change

Part No. U0016016NM17BAR rev1.0

16 mm Speaker

Email: [speakers@stetron.com](mailto:speakers@stetron.com)

Web Site: [www.stetron.com](http://www.stetron.com)

