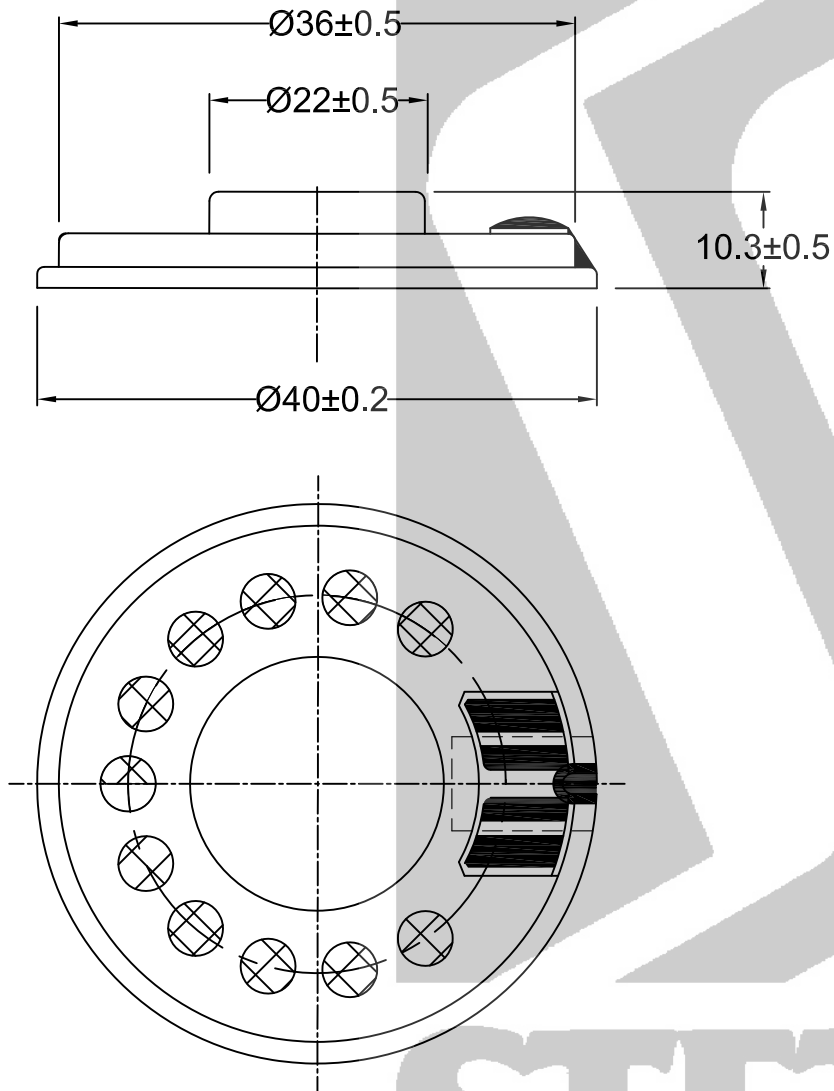
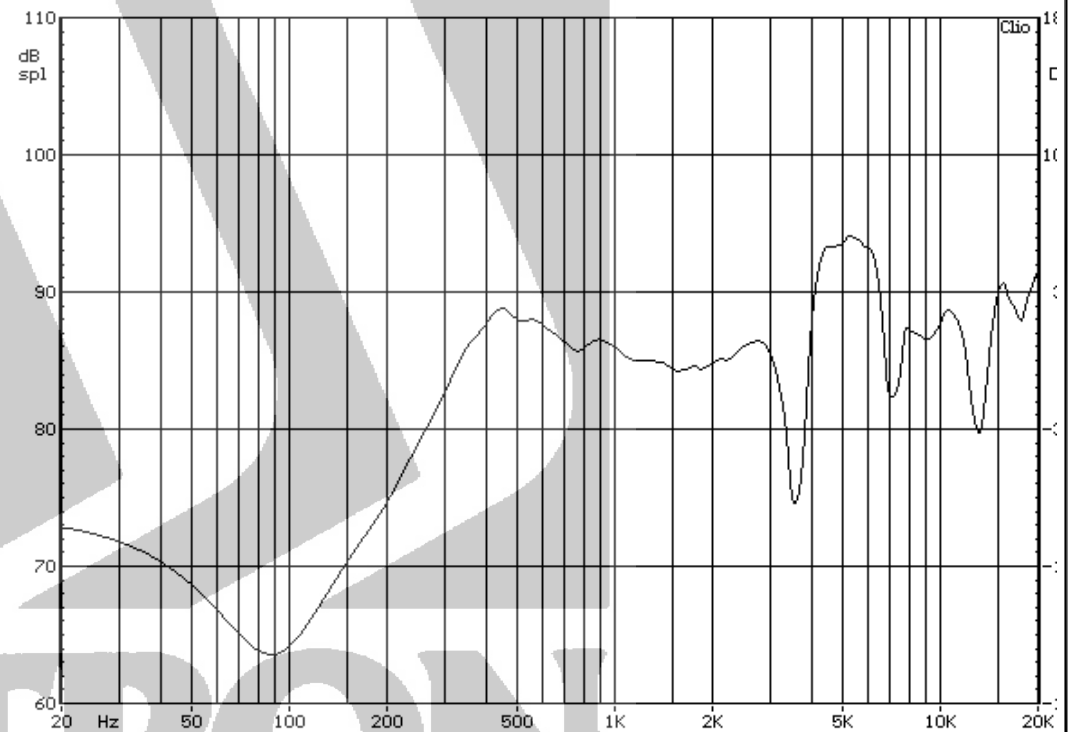


Parameter	Specification
Size	40mm
Impedance	$8\Omega \pm 15\%$
Input Power	0.8W/1.2W
Lowest Resonant Frequency, F_0	$400\text{Hz} \pm 20\%$
SPL	$85 \pm 3 \text{ dB (1W/1m)}$
Effective Frequency Range	F_0 to 7.0 kHz



Typical Frequency Response



*Specifications subject to change

Part No. U0040008NM012AR

Speaker size: 40mm

Web Site: www.stetron.com

