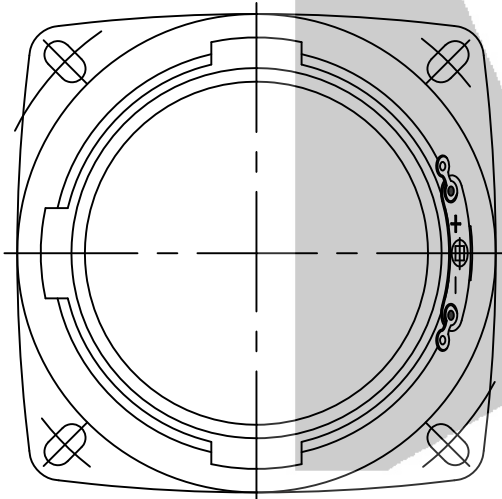
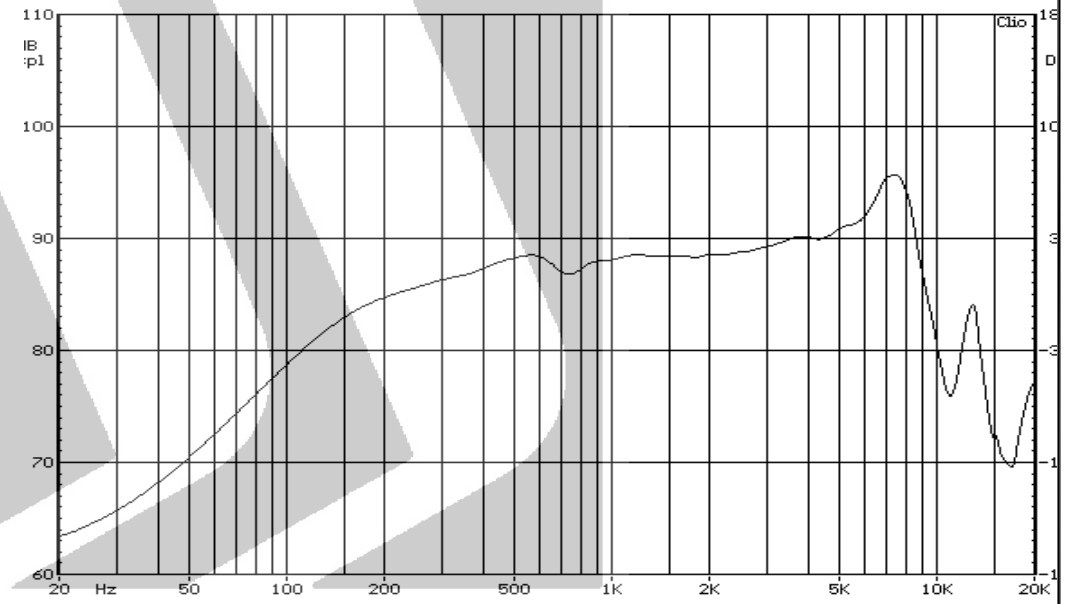


Parameter	Specification
Size	53.5mm
Impedance	4Ω ± 15%
Input Power	2.0W/3.0W
Lowest Resonant Frequency, F ₀	180Hz ± 20%
SPL	89 ± 3 dB (1W/0.5m)
Effective Frequency Range	F ₀ to 10.0 kHz
Total Harmonic Distortion, THD	Max 2% (250 Hz - 3.6kHz @ 2W/1m)



Typical Frequency Response



STETRON

*Specifications subject to change

Part No. D0055004NX025AR

Speaker size: 55mm

Web Site: www.stetron.com

