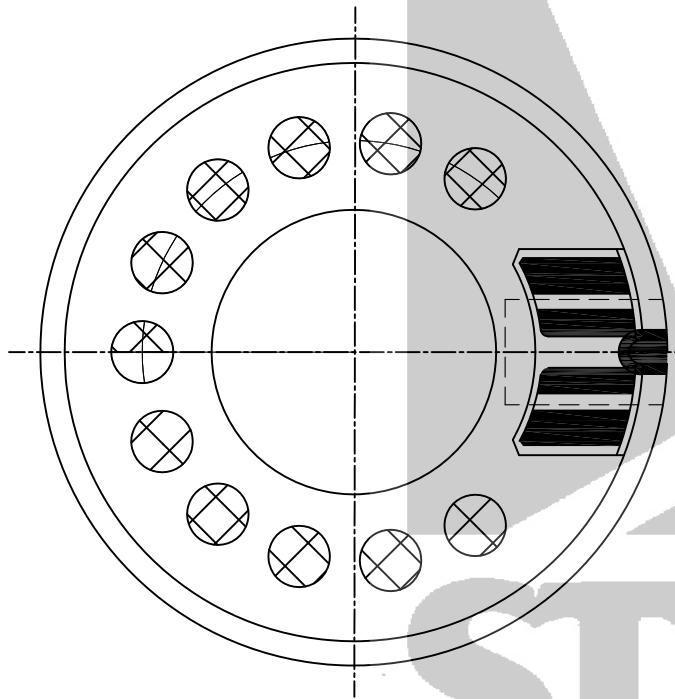
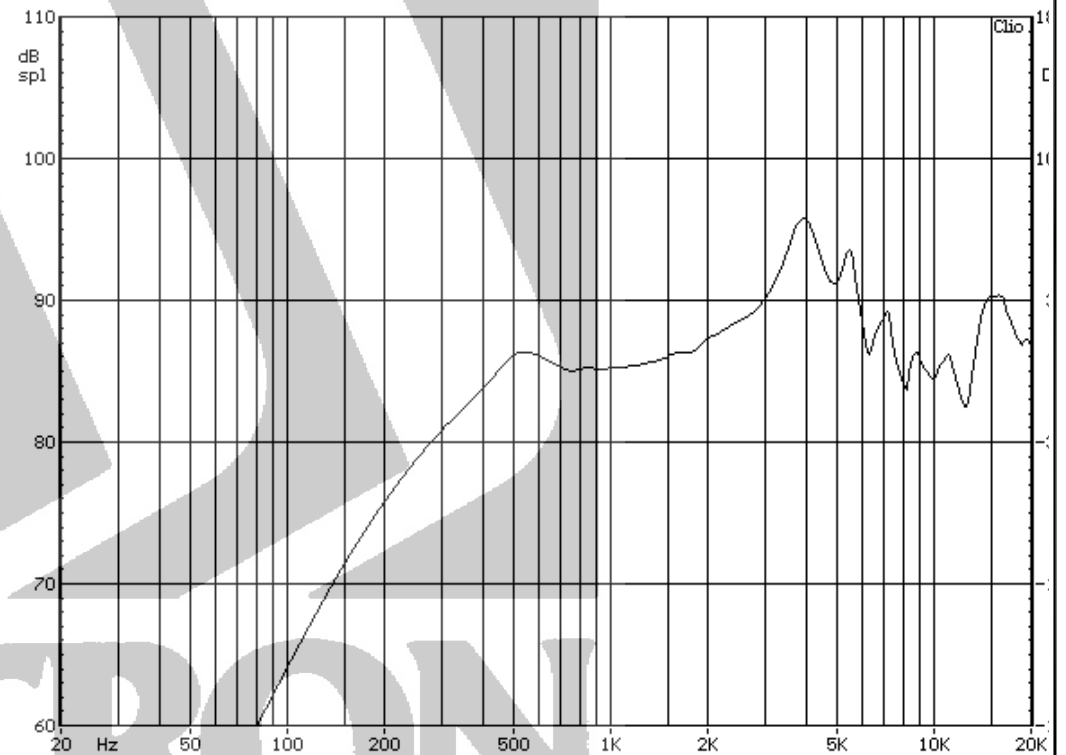


Parameter	Specification
Size	50mm
Impedance	$8\Omega \pm 15\%$
Input Power	0.5W/0.8W
Lowest Resonant Frequency, $F_0$	$400\text{Hz} \pm 20\%$
SPL	$85 \pm 3 \text{ dB (0.5W/0.5m)}$
Effective Frequency Range	$F_0$ to 6.0 kHz



Typical Frequency Response



\*Specifications subject to change

Part No. D0050008NM040AR

Speaker size: 50mm

Web Site: [www.stetron.com](http://www.stetron.com)

