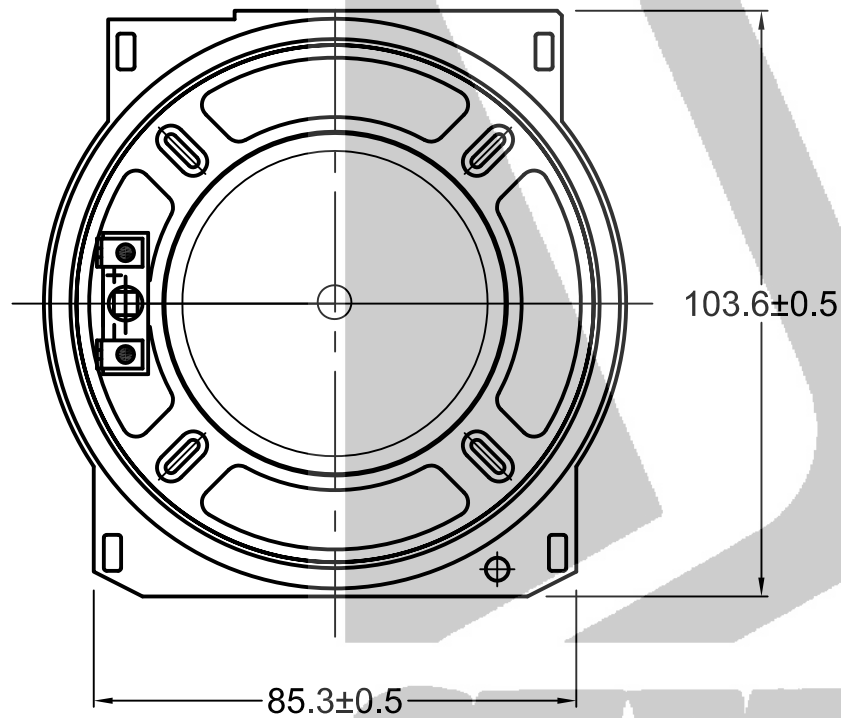
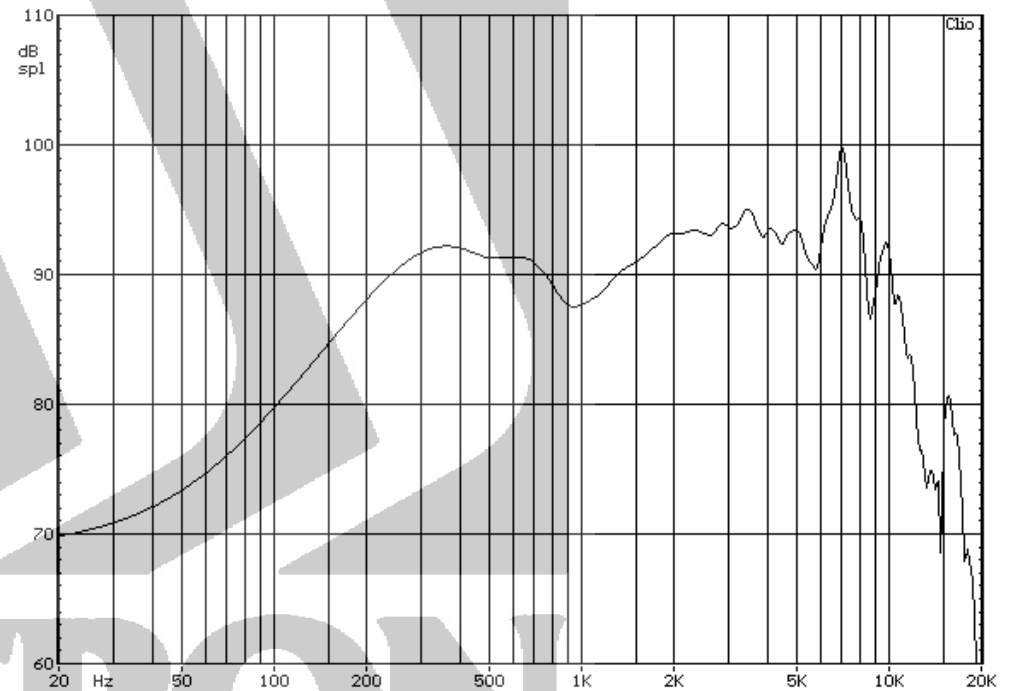


Parameter	Specification
Size	103 x 103mm
Impedance	$8\Omega \pm 20\%$
Input Power	4W/8W
Lowest Resonant Frequency, F_0	$275\text{Hz} \pm 20\%$
SPL	$91 \pm 3 \text{ dB (1W/1m)}$
Effective Frequency Range	F_0 to 8.0 kHz



Typical Frequency Response



*Specifications subject to change

Part No. A010008FP06DA-C

Speaker size: 103 x103mm

Web Site: www.stetron.com

