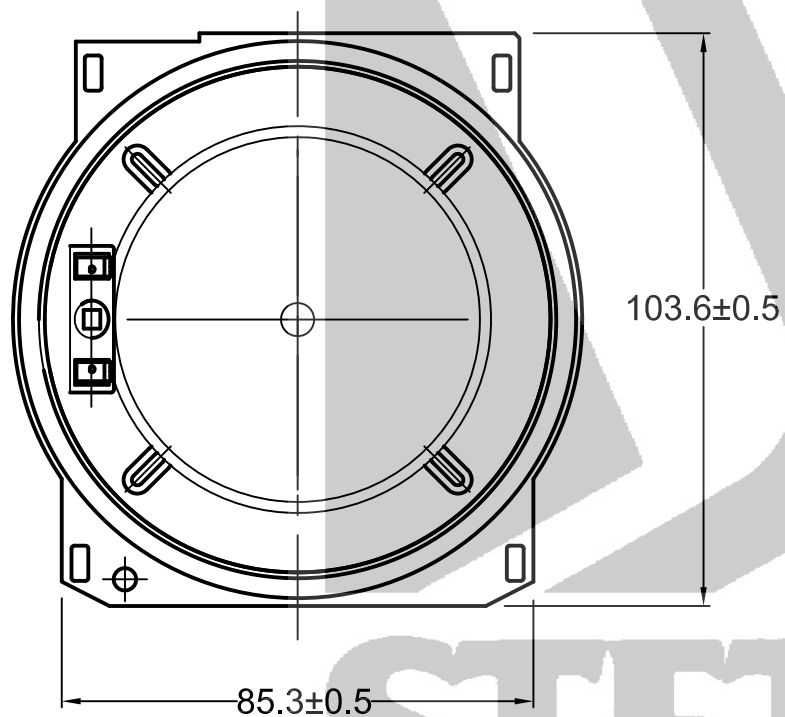
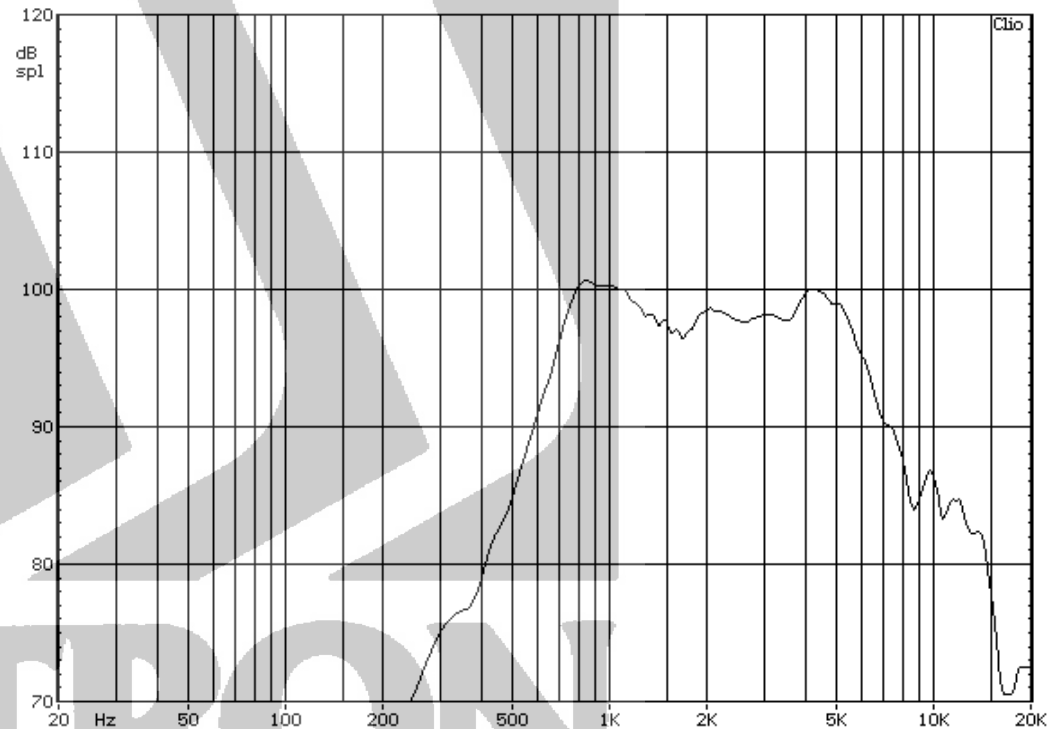


Parameter	Specification
Size	103 x 103
Impedance	$8\Omega \pm 15\%$
Input Power	15W/30W
Lowest Resonant Frequency, F_0	$900\text{Hz} \pm 20\%$
SPL	$98 \pm 2 \text{ dB (1W/1m)}$
Effective Frequency Range	F_0 to 6.0 kHz



Typical Frequency Response



*Specifications subject to change

Part No. A010008FP09IA

Speaker size: 103 x 103mm

Web Site: www.stetron.com

