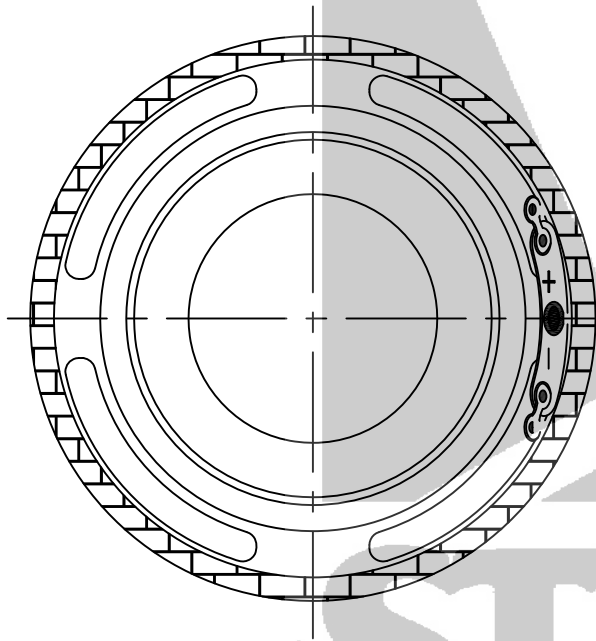
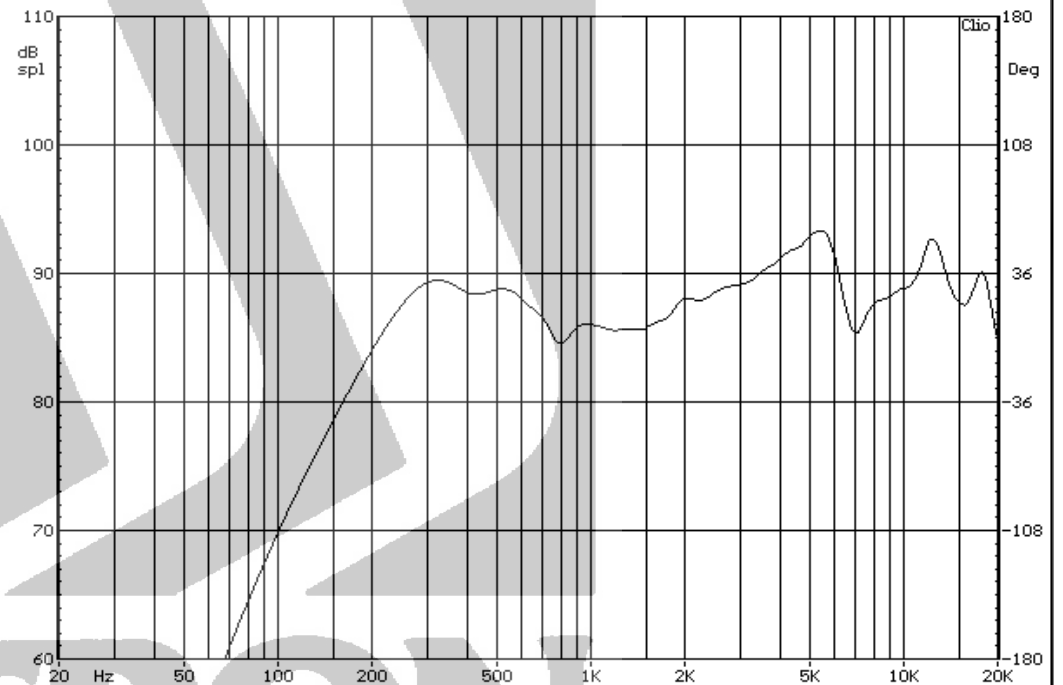


Parameter	Specification
Size	50mm
Impedance	8Ω ± 15%
Input Power	0.5W/1.0W
Lowest Resonant Frequency, F <sub>0</sub>	240Hz ± 20%
SPL	88 ± 3 dB (1W/0.5m)
Effective Frequency Range	F <sub>0</sub> to 6.0 kHz



Typical Frequency Response



\*Specifications subject to change

Part No. D0050008NC22JAR

Speaker size: 50mm

Web Site: [www.stetron.com](http://www.stetron.com)

