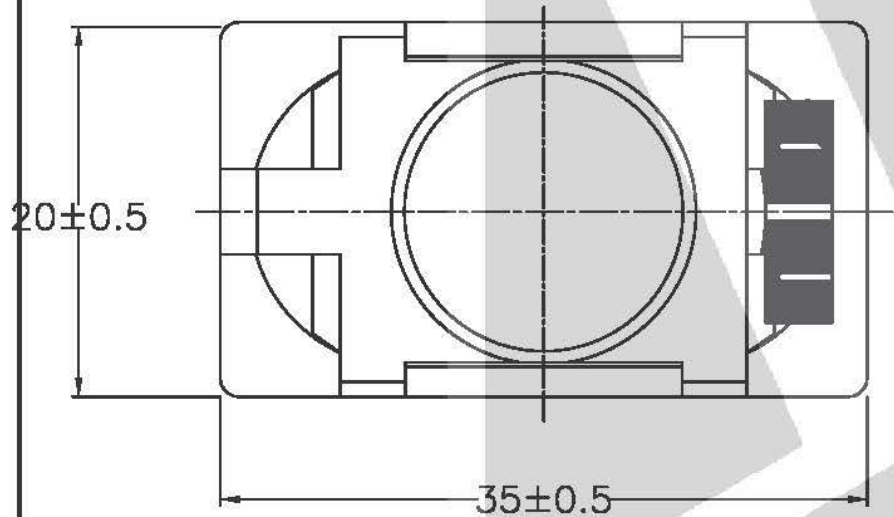
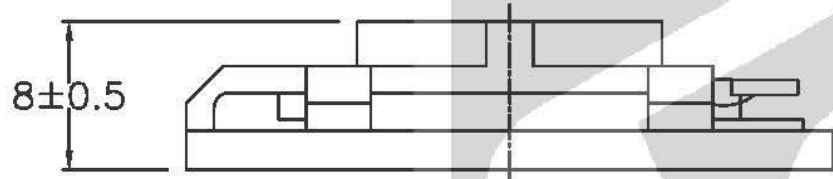
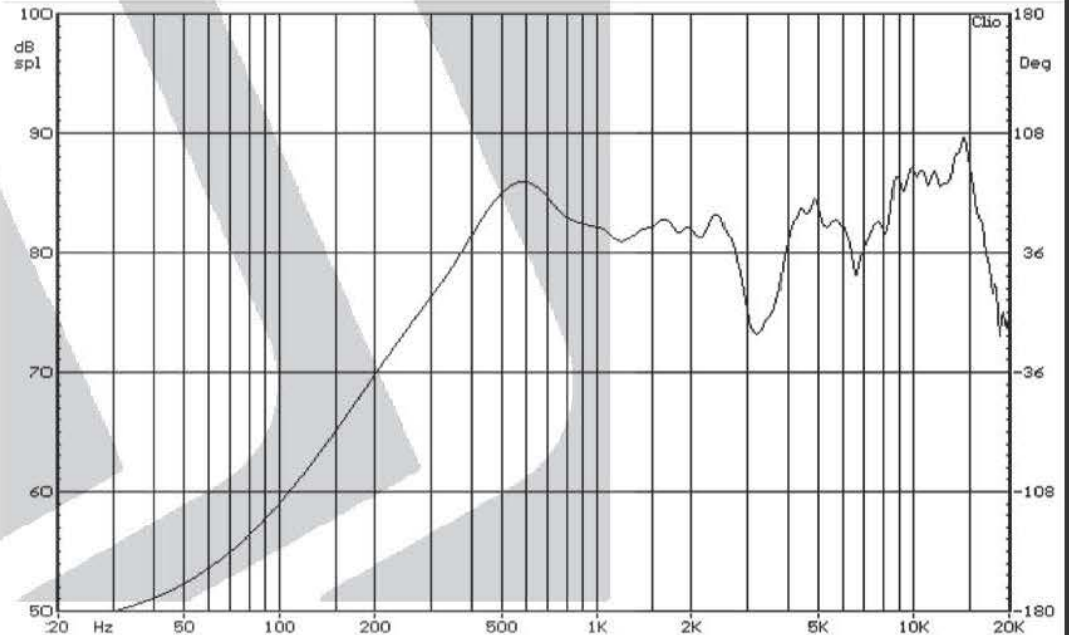


Parameter	Specification
Size	35 x 20mm
Impedance	$8\Omega \pm 15\%$
Input Power	2.0W/2.5W
Lowest Resonant Frequency, F_0	$500\text{Hz} \pm 20\%$
SPL	$88 \pm 3 \text{ dB (1W/0.5m)}$
Effective Frequency Range	F_0 to 10.0 kHz



Typical Frequency Response



STETRON

*Specifications subject to change

Part No. P3520008NC008AR

Speaker size: 35 x 20mm

Web Site: www.stetron.com

