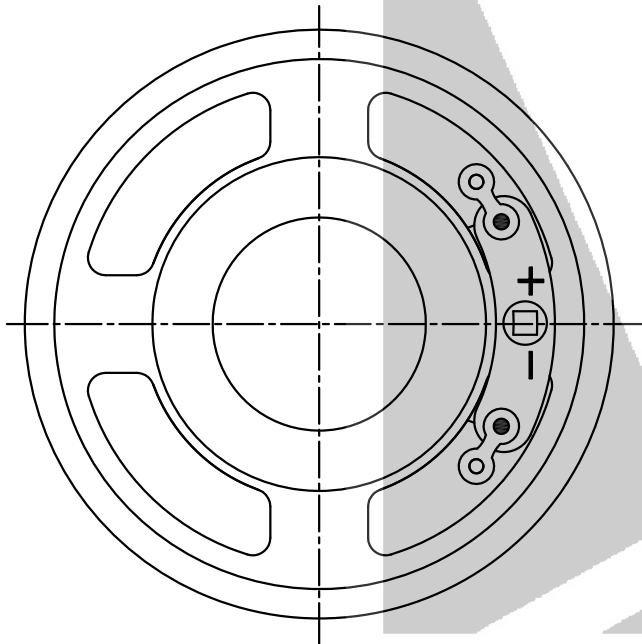
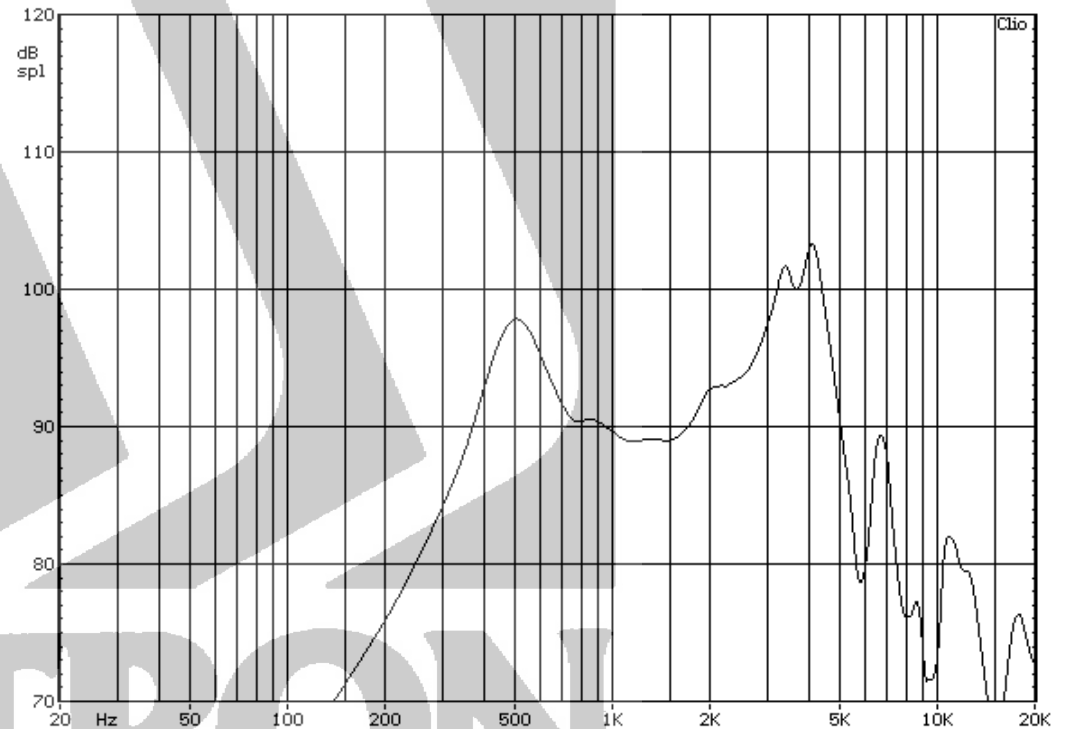


Parameter	Specification
Size	50mm
Impedance	$8\Omega \pm 15\%$
Input Power	1W/2W
Lowest Resonant Frequency, F_0	$550\text{Hz} \pm 20\%$
SPL	$90\pm 3 \text{ dB (1W/0.5m)}$
Effective Frequency Range	F_0 to 4.0 kHz



Typical Frequency Response



*Specifications subject to change

Part No. D0050008NMX16GAR

Speaker size: 50mm

Web Site: www.stetron.com

