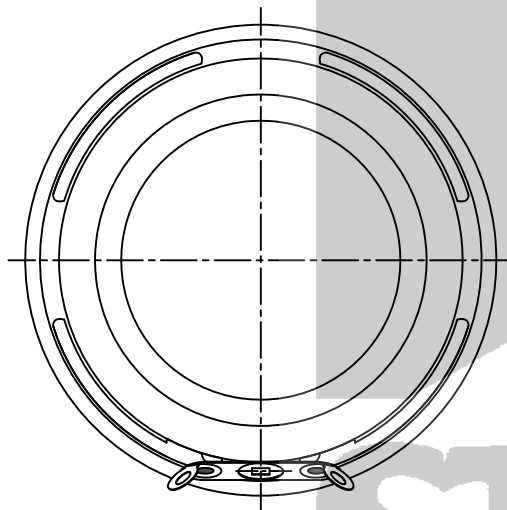
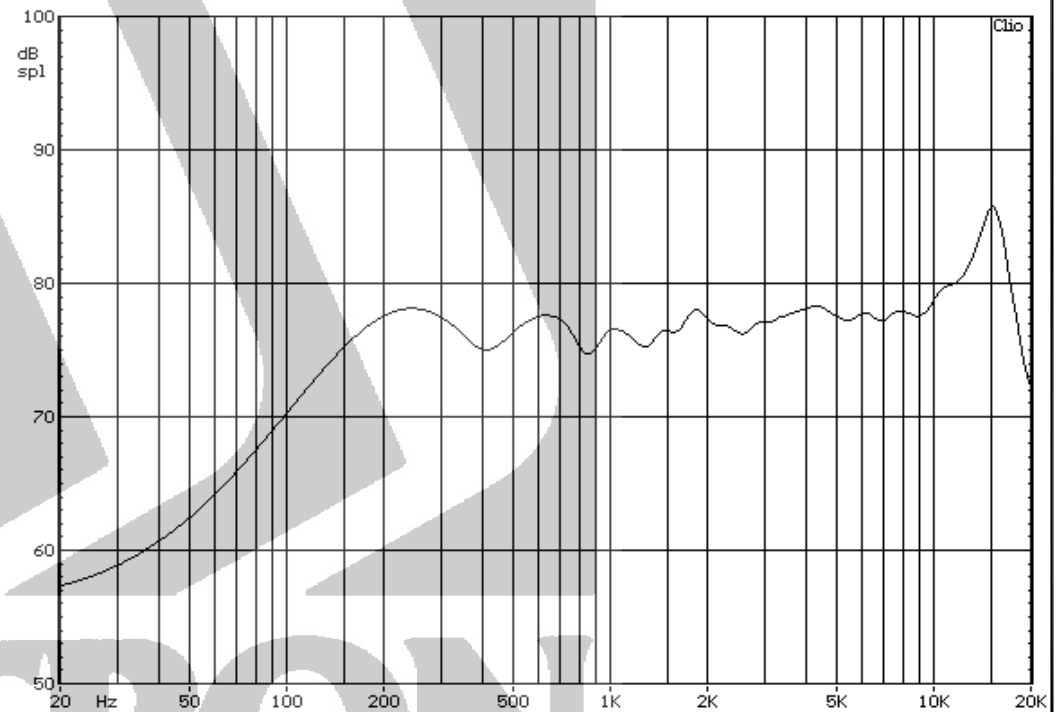


Parameter	Specification
Size	40mm
Impedance	$8\Omega \pm 15\%$
Input Power	3.0W/4.0W
Lowest Resonant Frequency, $F_0$	$170\text{Hz} \pm 25\%$
SPL	$77 \pm 3 \text{ dB (1W/1m)}$
Effective Frequency Range	$F_0$ to 10.0 kHz
Total Harmonic Distortion, THD	Max 6% (250 Hz - 10 kHz @ 0.25W/0.5m)



### Typical Frequency Response



\*Specifications subject to change

Part No. D0040008NRLM3AR

Speaker size: 40mm

Web Site: [www.stetron.com](http://www.stetron.com)

