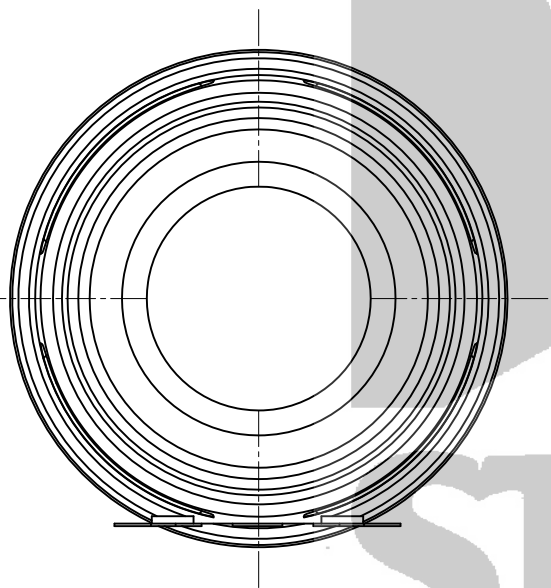
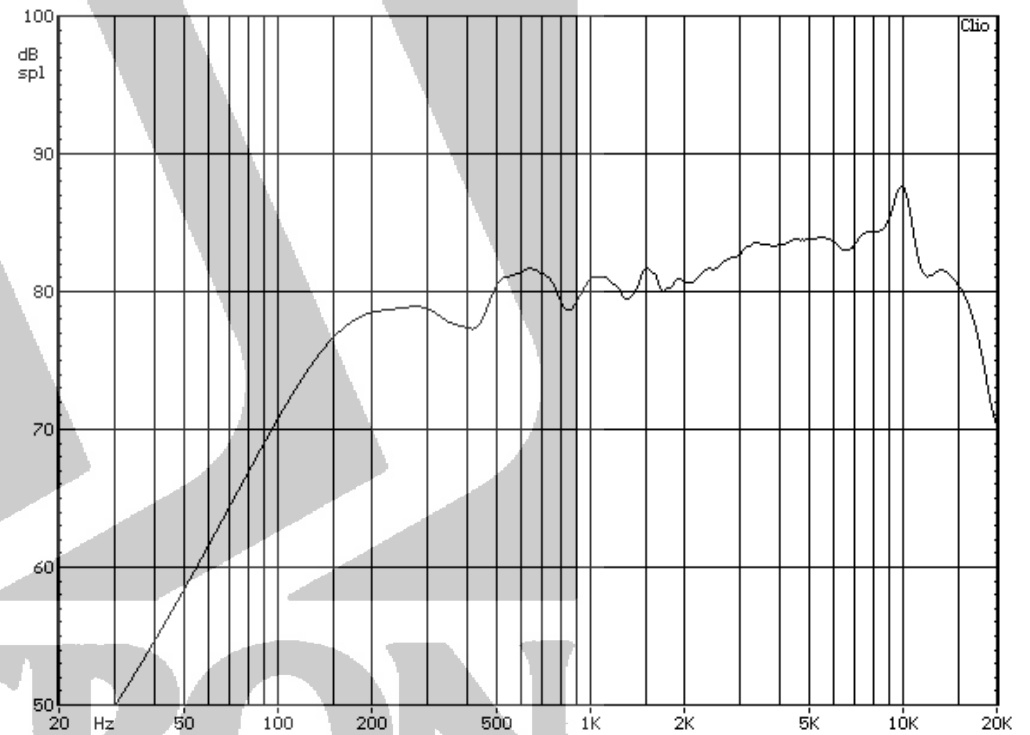


Parameter	Specification
Size	40mm
Impedance	$8\Omega \pm 15\%$
Input Power	5.0W/6.0W
Lowest Resonant Frequency, F_0	$160\text{Hz} \pm 20\%$
SPL	$81\pm 3 \text{ dB (1W/1m)}$
Effective Frequency Range	F_0 to 20.0 kHz
Total Harmonic Distortion, THD	Max 8% (250 Hz - 10 kHz @ 1W/1m)



Typical Frequency Response



*Specifications subject to change

Part No. D0040008NR10WER

Speaker size: 40mm

Web Site: www.stetron.com

