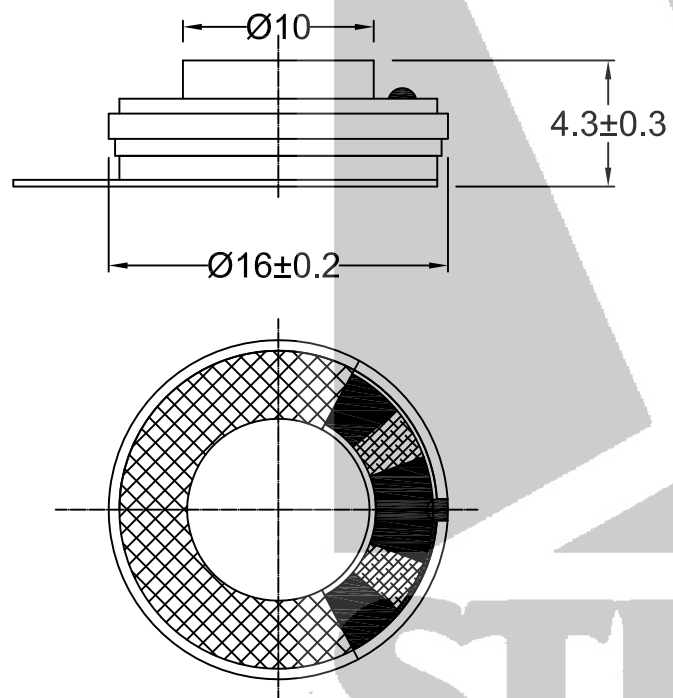
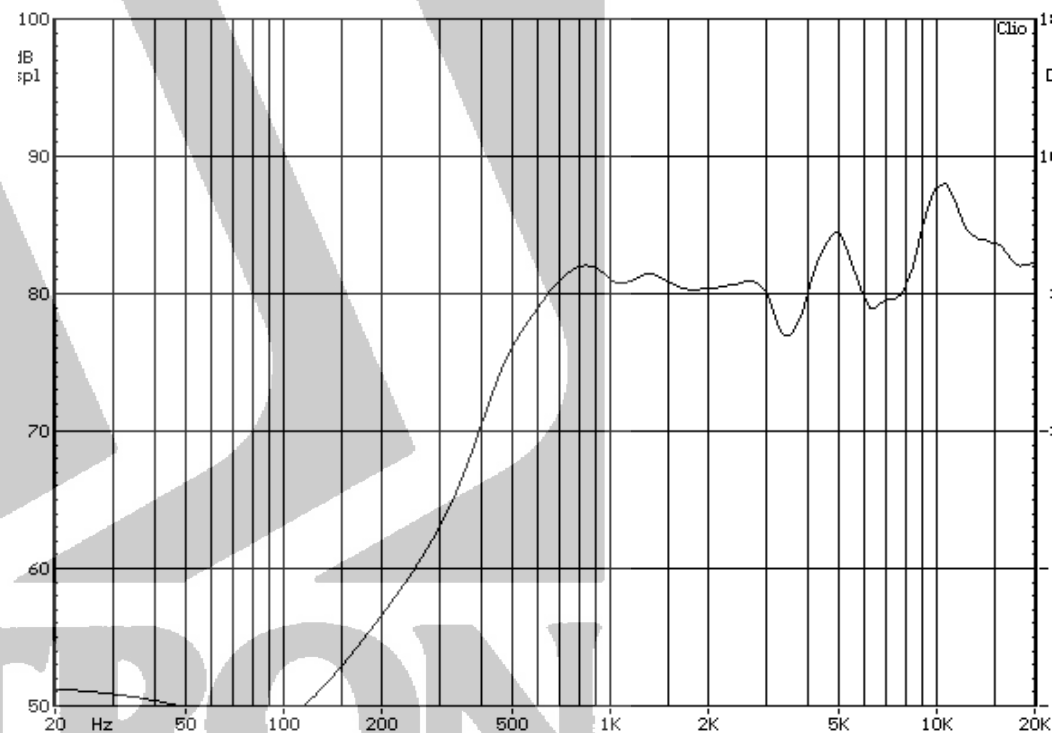


Parameter	Specification
Size	16mm
Impedance	$8\Omega \pm 15\%$
Input Power	0.5W/1.0W
Lowest Resonant Frequency, F_0	$800\text{Hz} \pm 20\%$
SPL	$79 \pm 3 \text{ dB (0.5W/0.5m)}$
Effective Frequency Range	F_0 to 15.0 kHz



Typical Frequency Response



*Specifications subject to change

Part No. U0016008NM235AR

Speaker size: 16mm

Web Site: www.stetron.com

