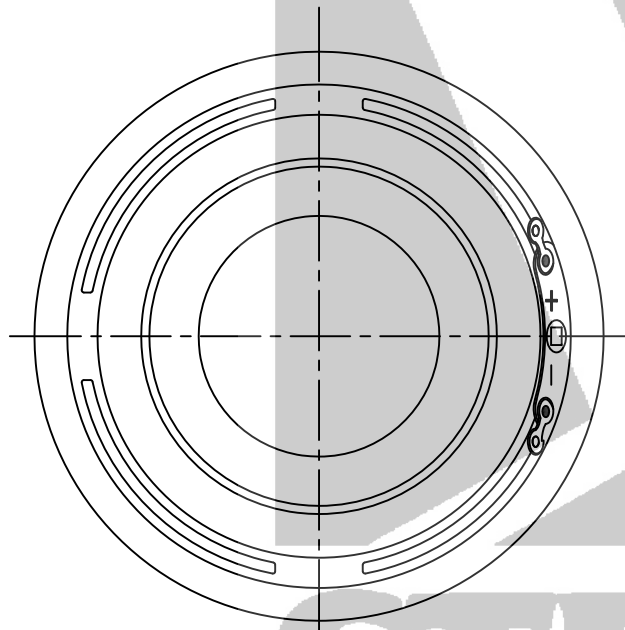
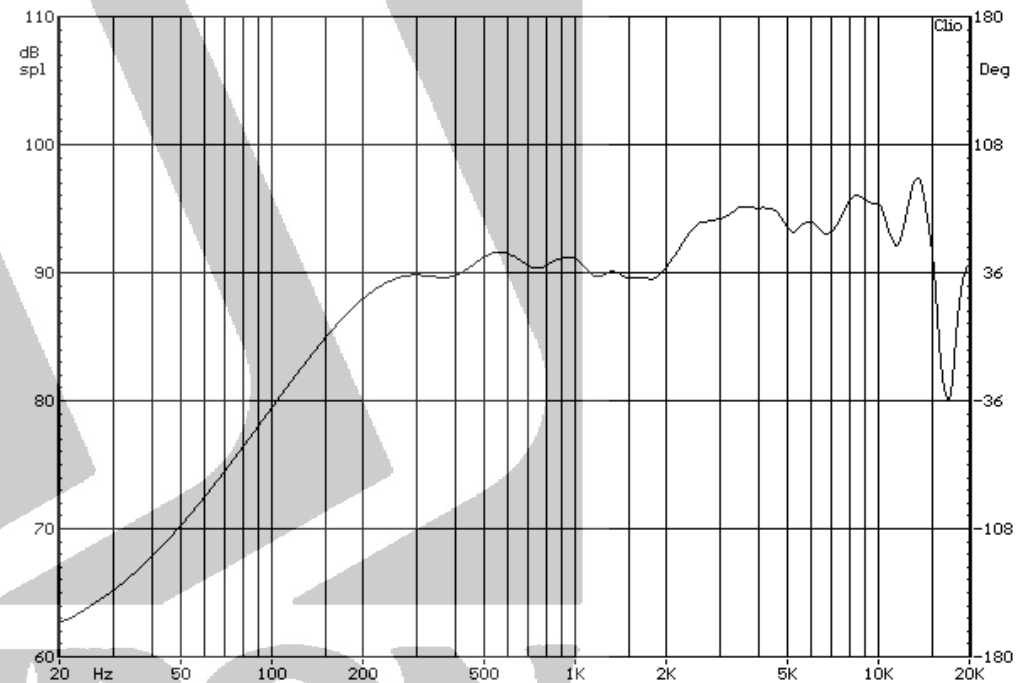


Parameter	Specification
Size	52mm
Impedance	$4\Omega \pm 15\%$
Input Power	2.0W/3.0W
Lowest Resonant Frequency, $F_0$	$200\text{Hz} \pm 20\%$
SPL	$89\pm 3\text{ dB (1W/0.5m)}$
Effective Frequency Range	$F_0$ to 15.0 kHz



### Typical Frequency Response



\*Specifications subject to change

Part No. D0052004NC257AR

Speaker size: 52mm

Web Site: [www.stetron.com](http://www.stetron.com)

