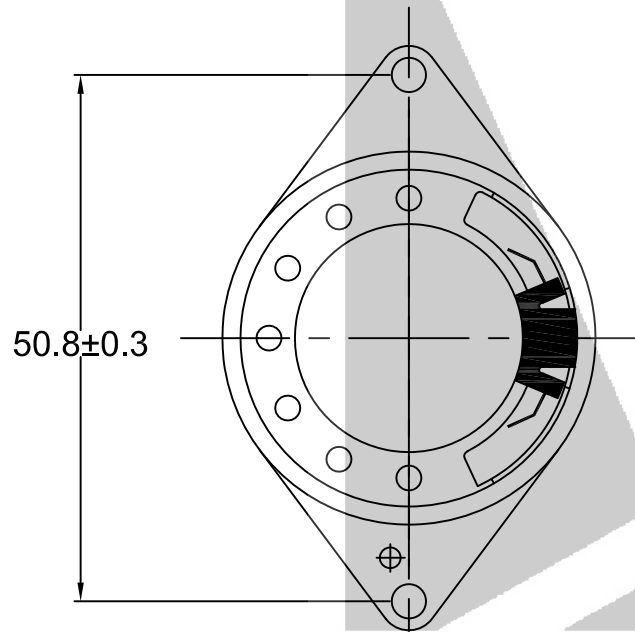
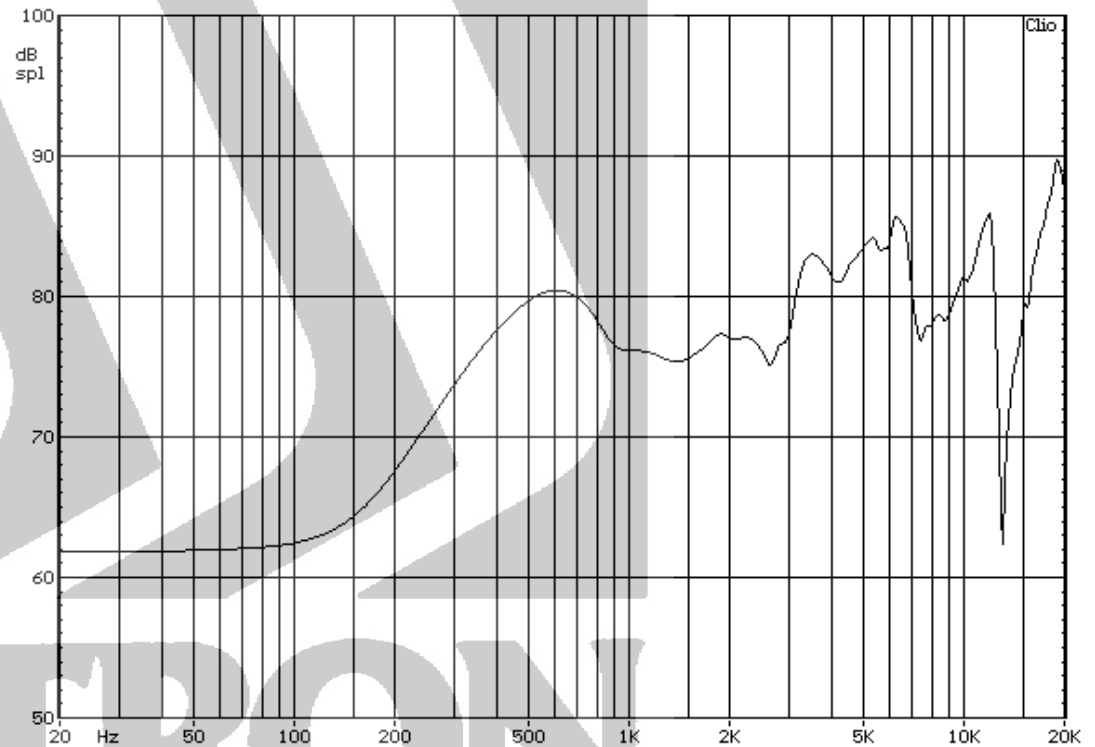


Parameter	Specification
Size	36mm
Impedance	4Ω ± 15%
Input Power	1.5W/3W
Lowest Resonant Frequency, F ₀	380Hz ± 20%
SPL	77 ± 3dB (1W/1m)
Effective Frequency Range	F ₀ to 15.0 kHz
Total Harmonic Distortion, THD	Max 6% (430 Hz - 6 kHz 1W/1m)



Typical Frequency Response



*Specifications subject to change

Part No. D0036004NC24AAR

Speaker size: 36mm

Web Site: www.stetron.com

