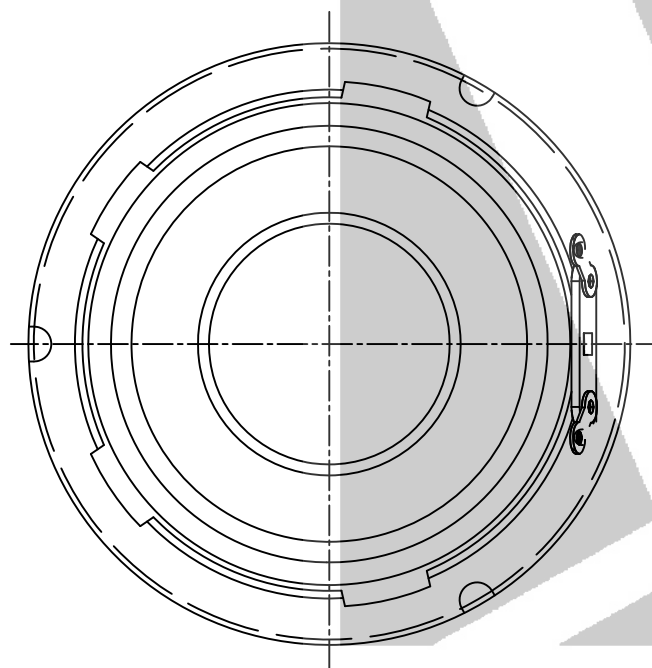
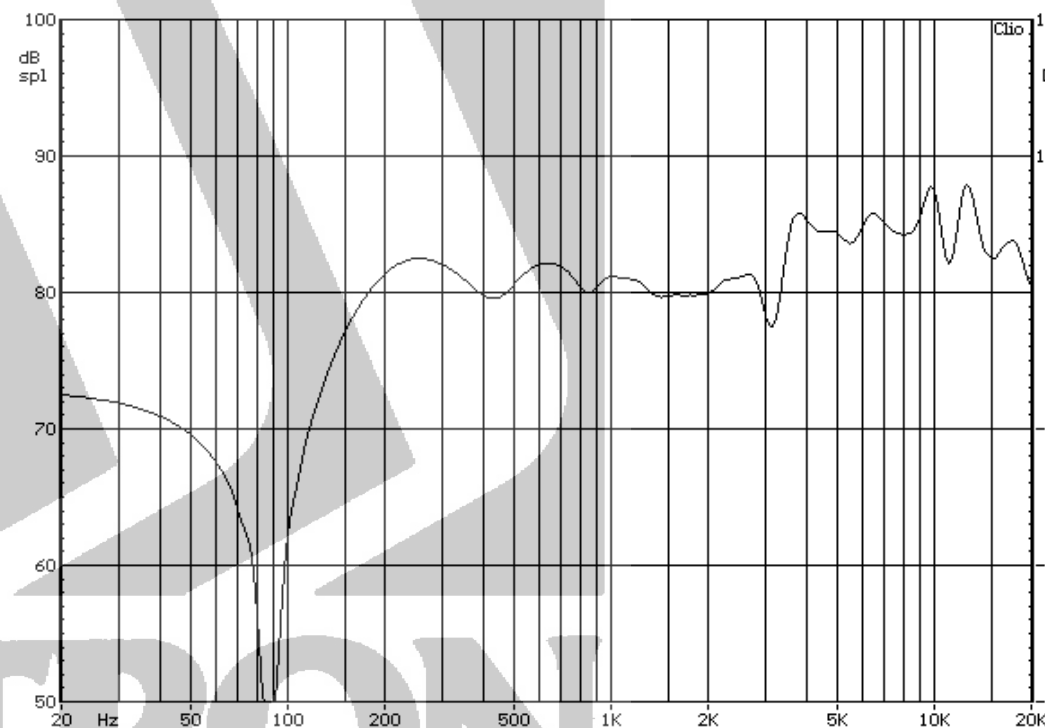


Parameter	Specification
Size	55mm
Impedance	$4\Omega \pm 15\%$
Input Power	1.0W/2.0W
Lowest Resonant Frequency, F_0	$160\text{Hz} \pm 20\%$
SPL	$80\pm 3 \text{ dB (1W/1m)}$
Effective Frequency Range	F_0 to 10.0 kHz
Total Harmonic Distortion, THD	Max 6% (200 Hz - 8kHz @ 1W/1m)



Typical Frequency Response



*Specifications subject to change

Part No. P0055004NR741AR

Speaker size: 55mm

Web Site: www.stetron.com

