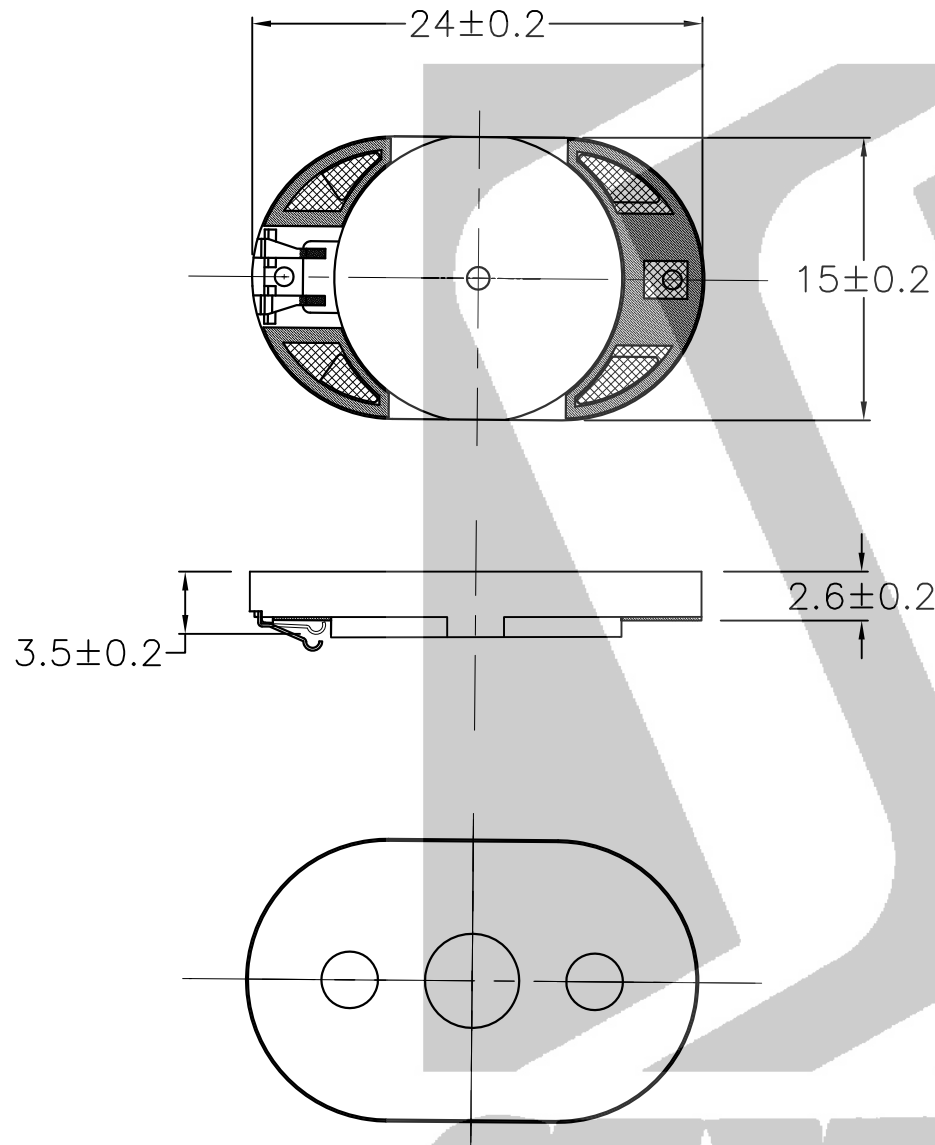


Parameter	Specification
Size	15 x 24 x 3.5mm
Impedance	8Ω ± 15%
Input Power	0.8W/1.0W
Lowest Resonant Frequency, F ₀	950Hz ± 20%
SPL	90 ± 3 dB (0.1W/0.1m)
Effective Frequency Range	F ₀ to 20.0 kHz



Typical Frequency Response



*Specifications subject to change

Part No. P1524008NM101NFR

Speaker size: 15 x 24 mm

Web Site: www.stetron.com

