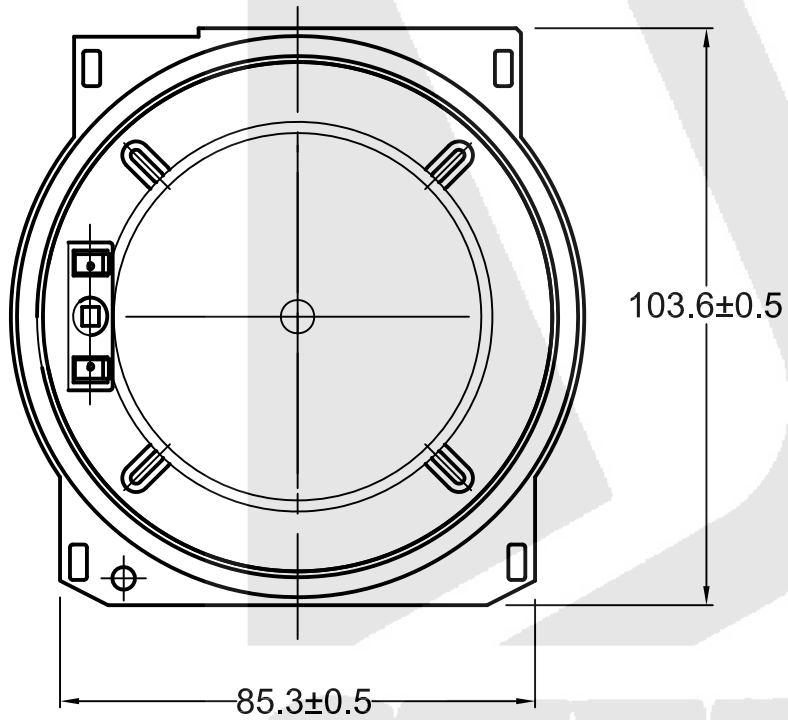
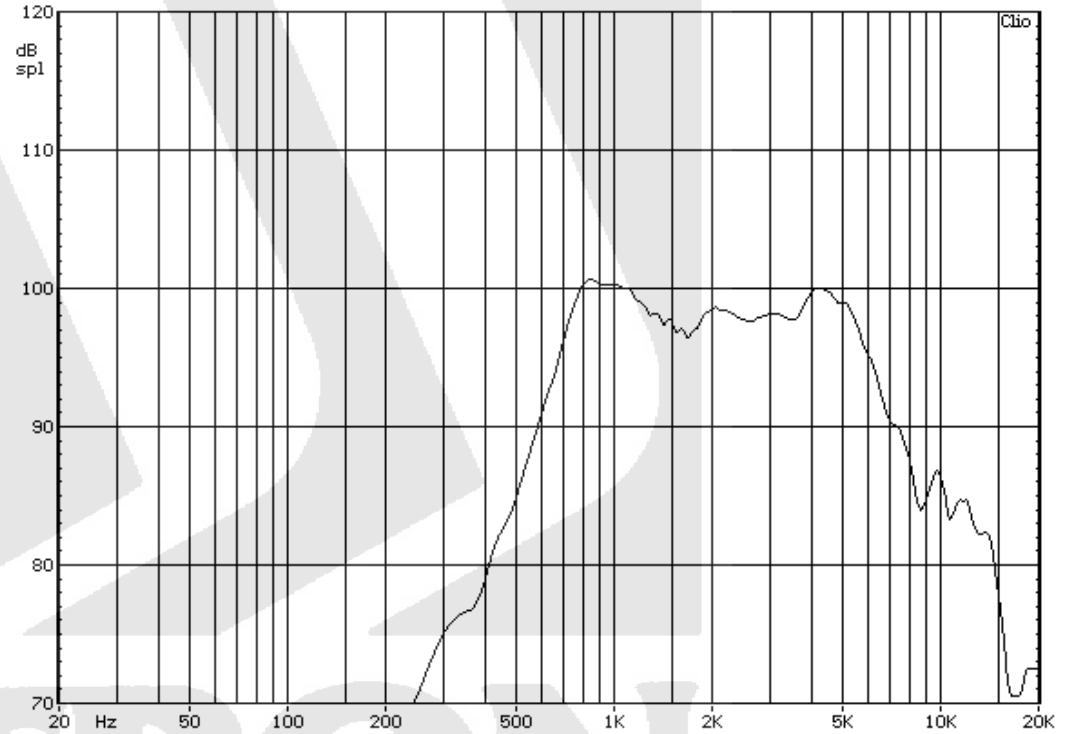


Parameter	Specification
Size	103 x 103mm
Impedance	8Ω ± 15%
Input Power	15W/30W
Lowest Resonant Frequency, F ₀	900Hz ± 20%
SPL	98± 2 dB
Effective Frequency Range	F ₀ to 6.0 kHz



Typical Frequency Response



*Specifications subject to change

Part No. A0100008FP091A

Speaker size: 103 x 103mm

Web Site: www.stetron.com

