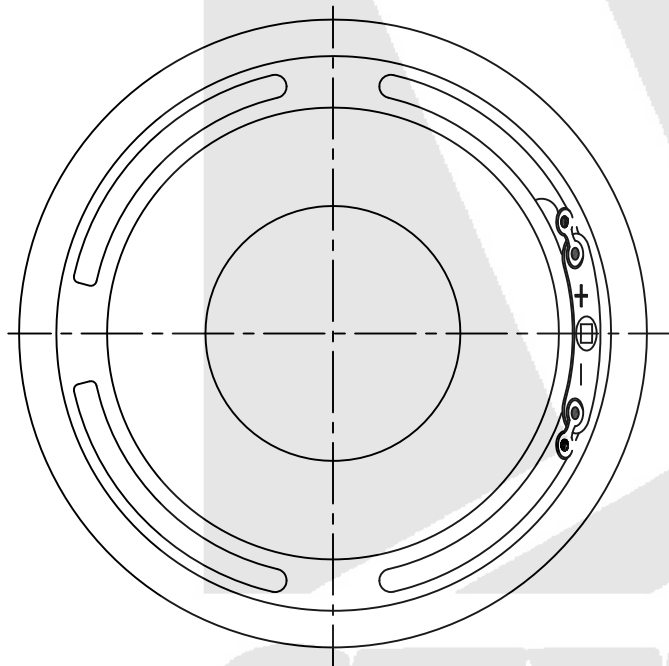
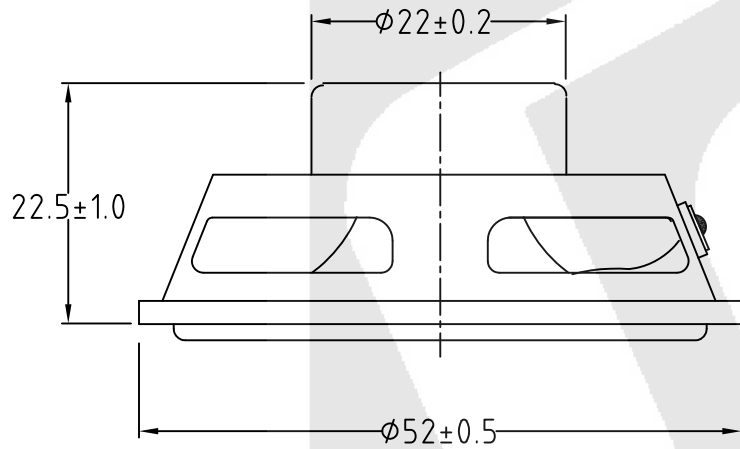
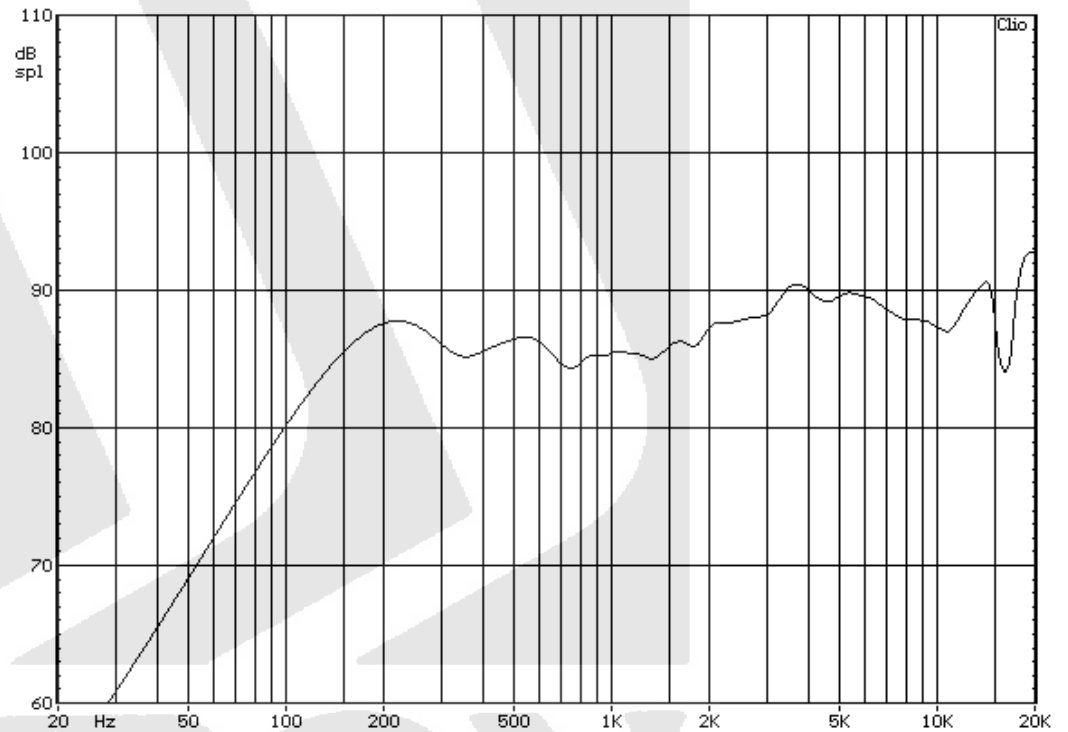


Parameter	Specification
Size	52mm
Impedance	4Ω ± 15%
Input Power	2.0W/4.0W
Lowest Resonant Frequency, F ₀	160Hz ± 25%
SPL	87± 3 dB
Effective Frequency Range	F ₀ to 12.0 kHz
Total Harmonic Distortion, THD	Max 2% (500 Hz - 7 kHz @ 2W/0.5m)



Typical Frequency Response



*Specifications subject to change

Part No. D0052004NU10HAR

Speaker size: 52mm

Web Site: www.stetron.com

