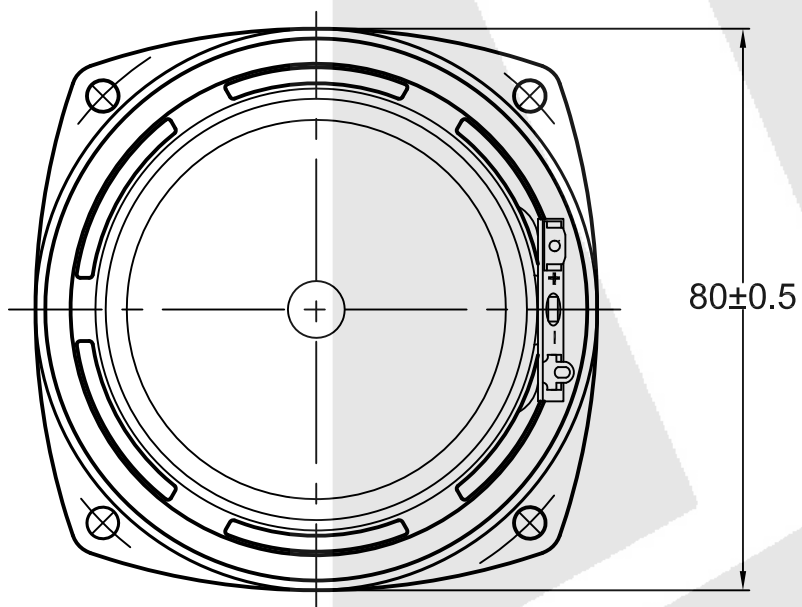
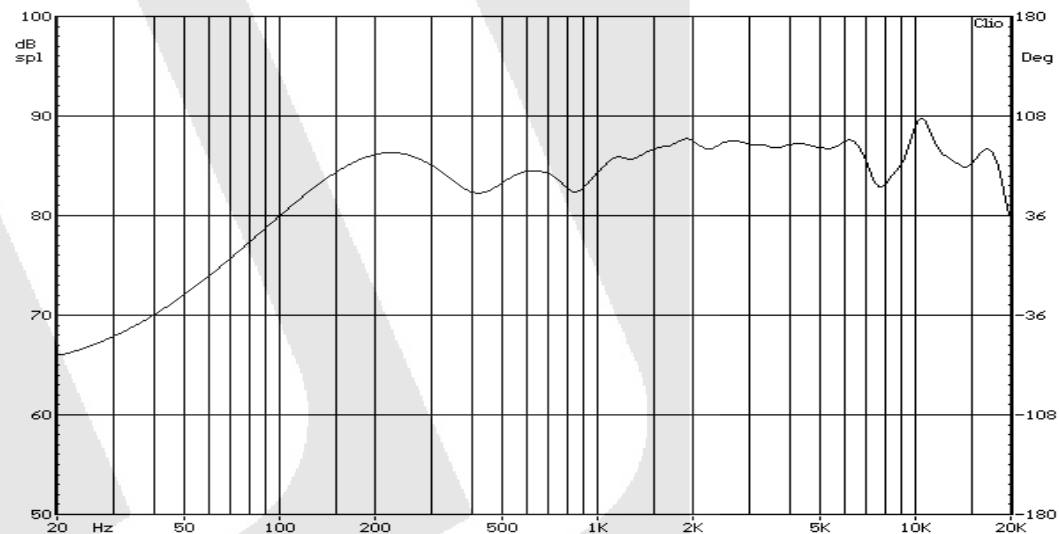


Parameter	Specification
Size	80 x 80mm
Impedance	$4\Omega \pm 15\%$
Input Power	5.0W/8.0W
Lowest Resonant Frequency, $F_0$	$140\text{Hz} \pm 20\%$
SPL	$88\pm 3 \text{ dB}$
Effective Frequency Range	$F_0$ to 20.0 kHz
Total Harmonic Distortion, THD	Max 6% (130 Hz - 200 Hz @ 3W/1m) Max 4% (201 Hz - 15 kHz) @ 2W/1m



Typical Frequency Response



\*Specifications subject to change

Part No. D0077004FR060FAR

Speaker size: 77mm

Web Site: [www.stetron.com](http://www.stetron.com)

