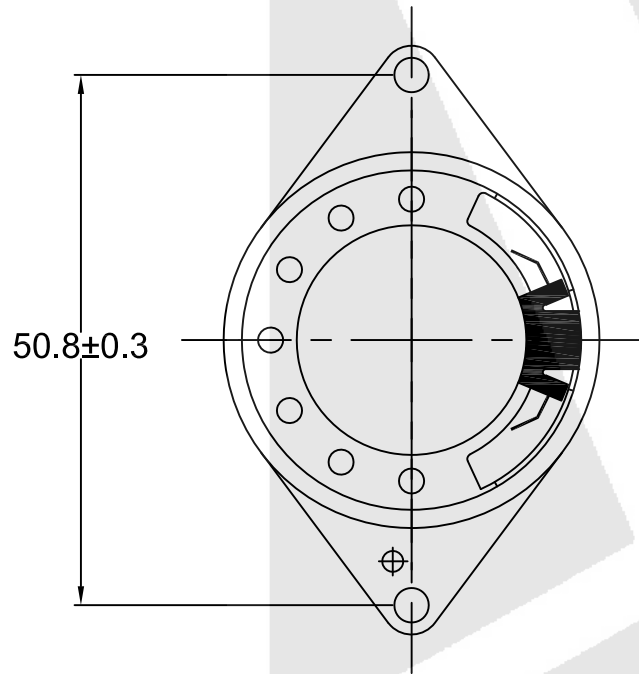
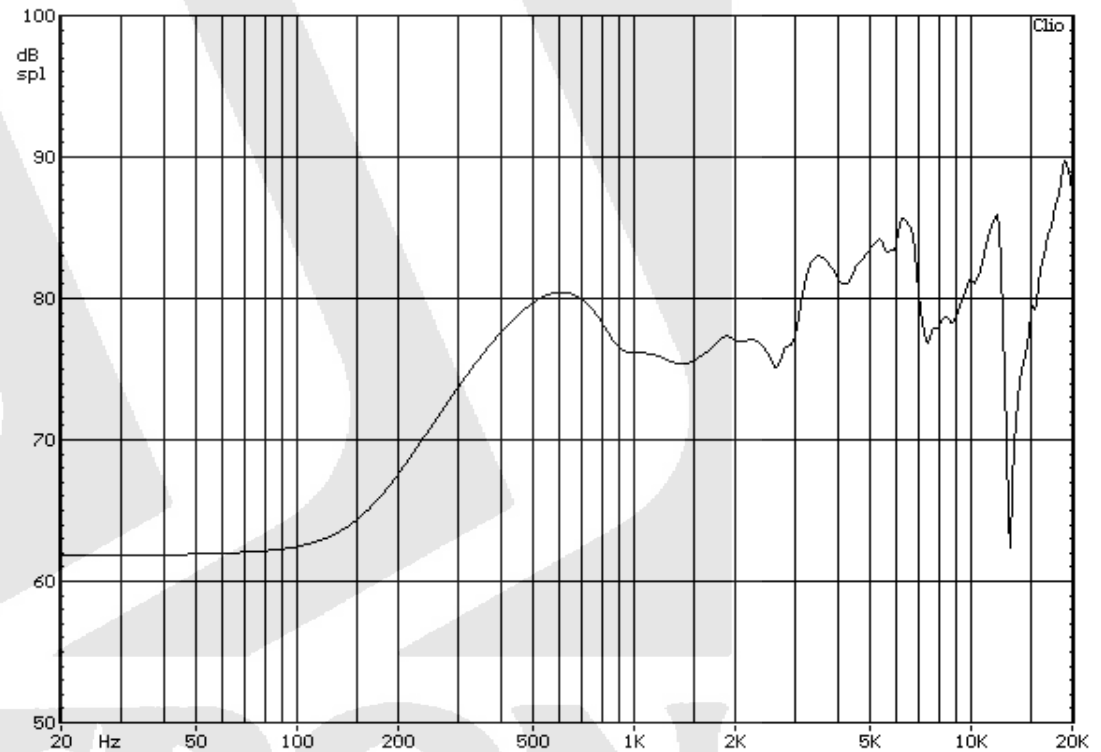


Parameter	Specification
Size	36mm
Impedance	4Ω ± 15%
Input Power	1.5W/3W
Lowest Resonant Frequency, F <sub>0</sub>	380Hz ± 20%
SPL	77 ± 3dB
Effective Frequency Range	F <sub>0</sub> to 15.0 kHz
Total Harmonic Distortion, THD	Max 6% (430 Hz - 6 kHz 1W/1m)



### Typical Frequency Response



\*Specifications subject to change

Part No. D0036004NC24AAR

Speaker size: 36mm

Web Site: [www.stetron.com](http://www.stetron.com)

