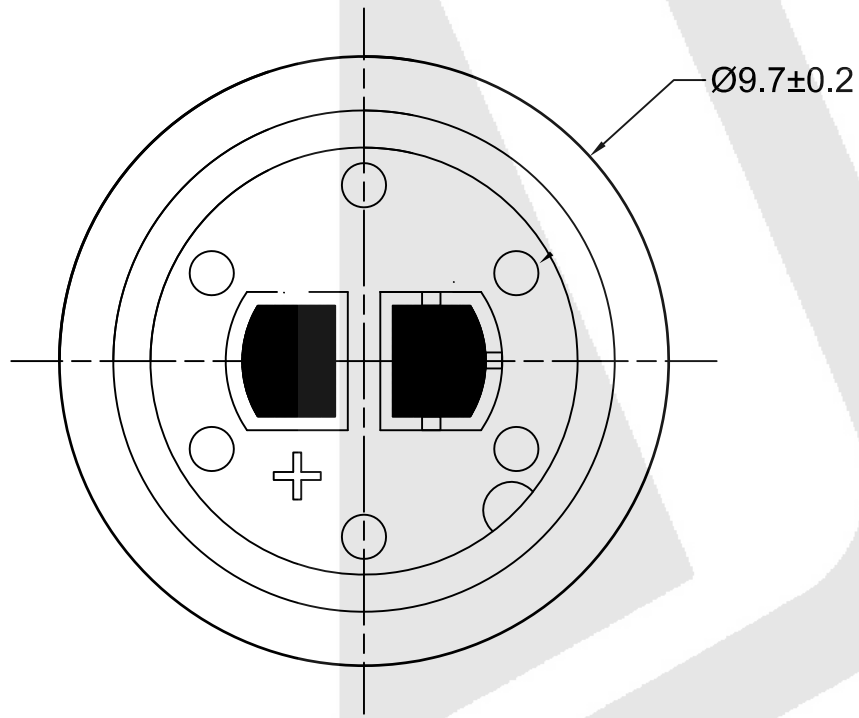
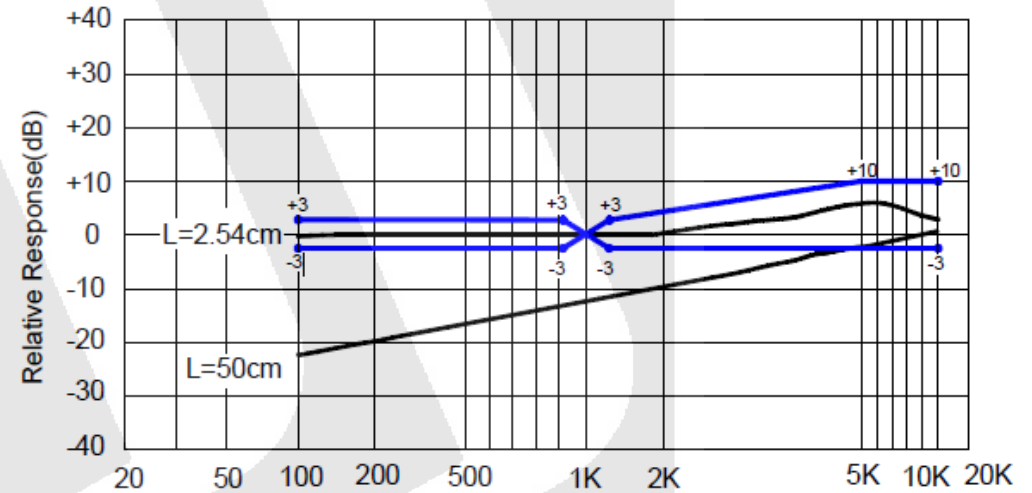


| Parameter | Specification |
|------------------------|------------------|
| Size | 9.7 x 4.5mm |
| Impedance | 2.2 kΩ |
| S/N ratio (A Weighted) | Min 58 dB |
| Sensitivity | -47 dB |
| Operating voltage | 2.0 Vdc |
| Max Input SPL | 110dB (THD ≤ 3%) |



Typical Frequency Response

A: Frequency Response.Magn dB re 1.000V/Pa



*Specifications subject to change

Part No. EB100522058W0MGR

Microphone size: 9.7mm

Web Site: www.stetron.com

