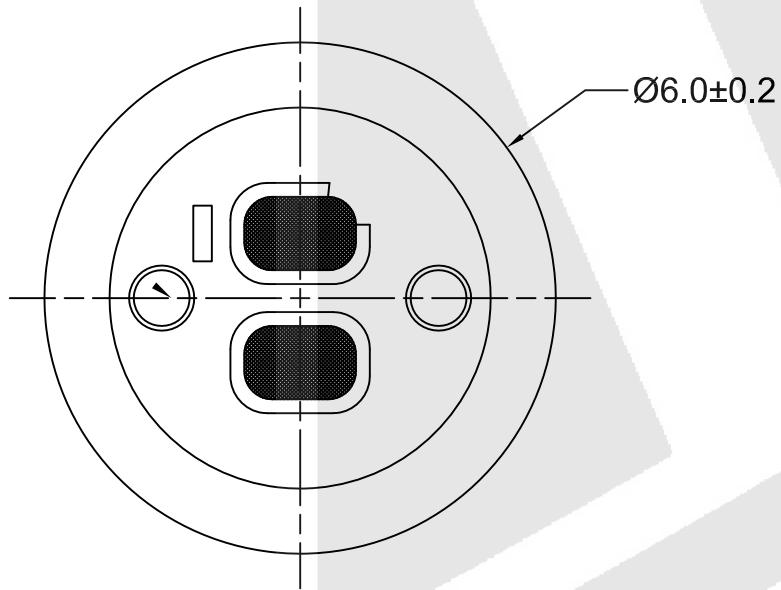
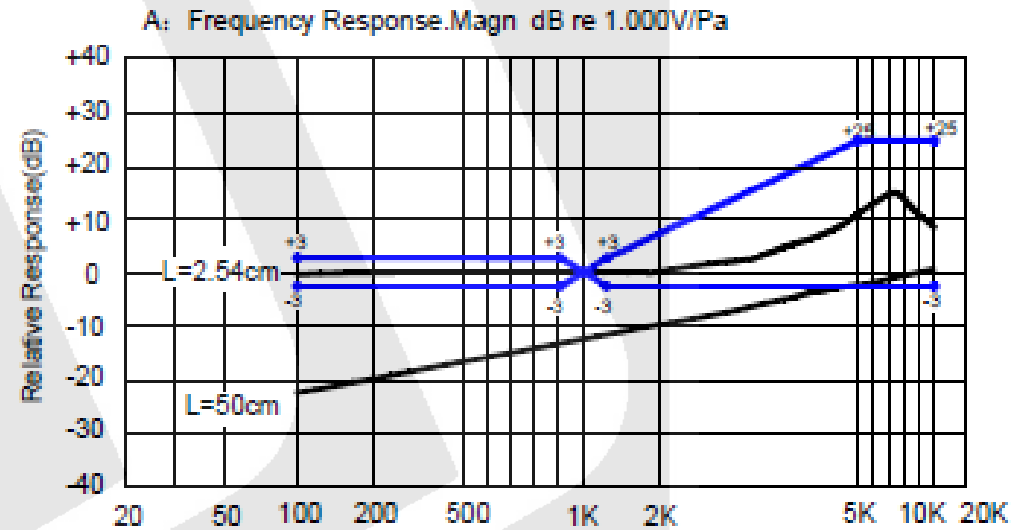


Parameter	Specification
Size	6 x 2.7mm
Impedance	2.2 kΩ
S/N ratio (A Weighted)	Min 50 dB
Sensitivity	-51 dB
Operating voltage	2.0 Vdc
Max Input SPL	105dB (THD ≤ 3%)



### Typical Frequency Response



\*Specifications subject to change

Part No. EB060322050W0MGR

Microphone size: 6mm

Web Site: [www.stetron.com](http://www.stetron.com)

