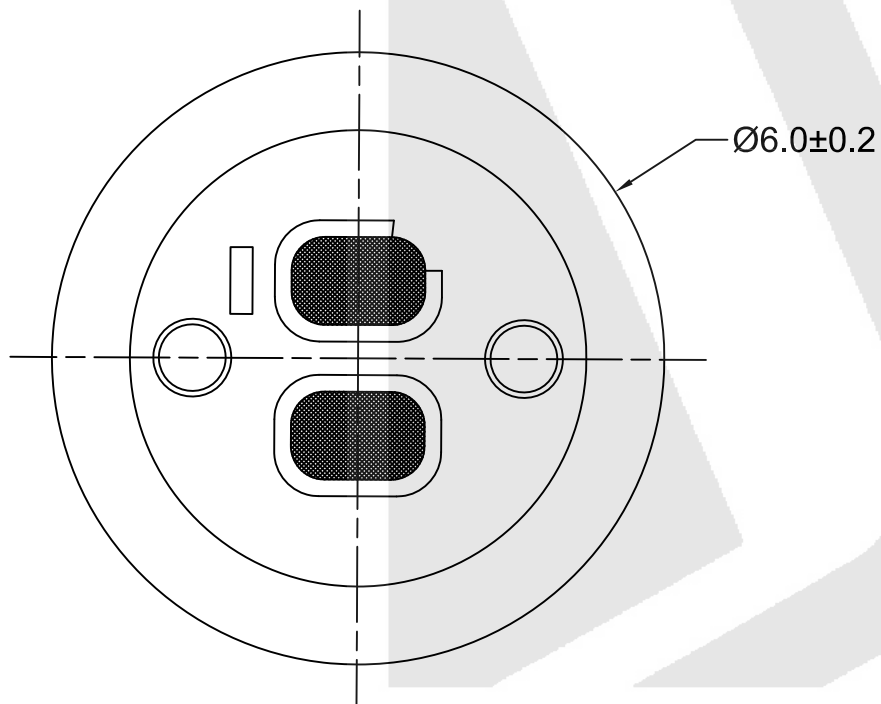
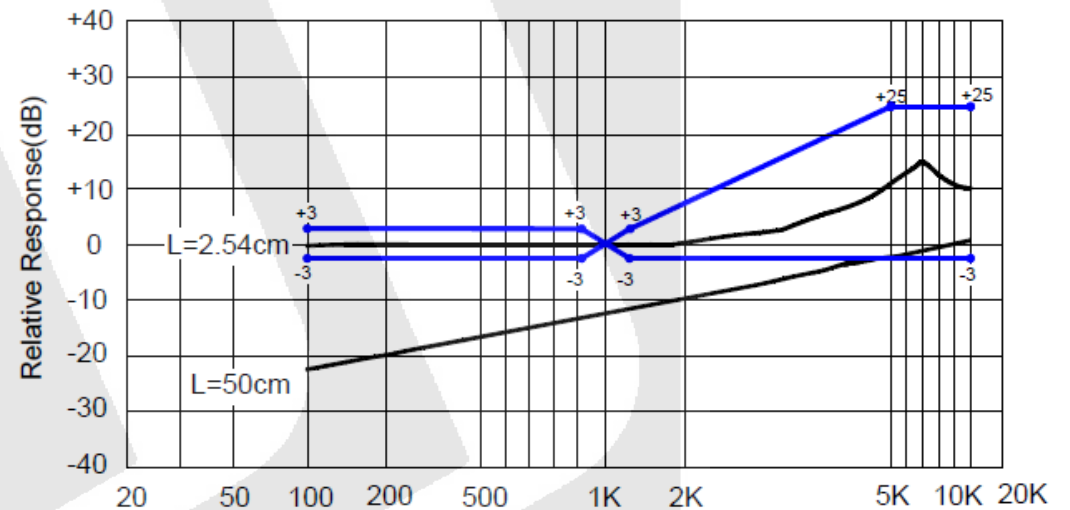


Parameter	Specification
Size	6 x 2.2mm
Impedance	2.2 kΩ
S/N ratio (A Weighted)	Min 50 dB
Sensitivity	-52 dB
Operating voltage	2.0 Vdc
Max Input SPL	105dB (THD ≤ 3%)



Typical Frequency Response

A: Frequency Response Magn dB re 1.000V/Pa



*Specifications subject to change

Part No. EB060222050W0MGR

Microphone size: 6mm

Web Site: www.stetron.com

