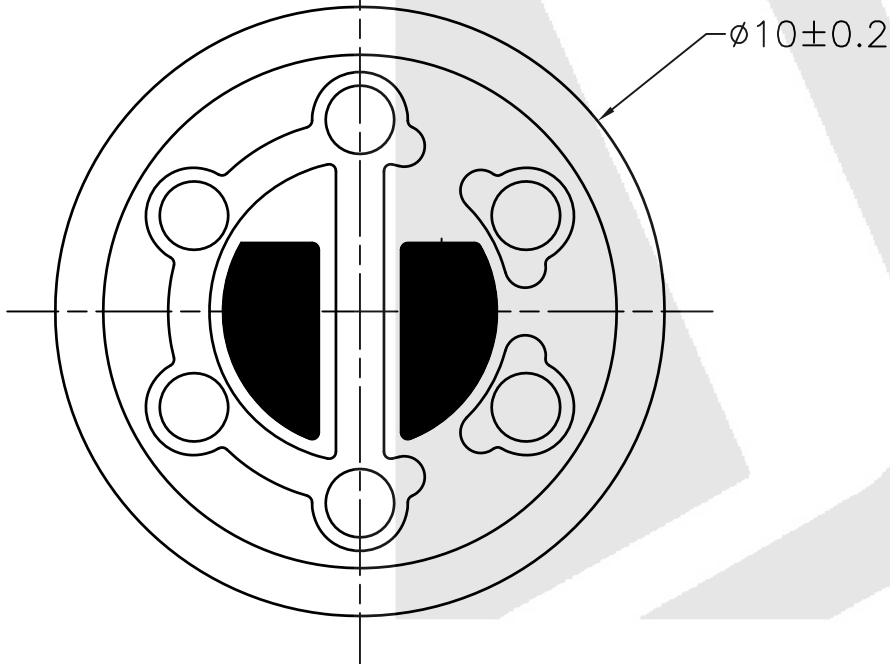
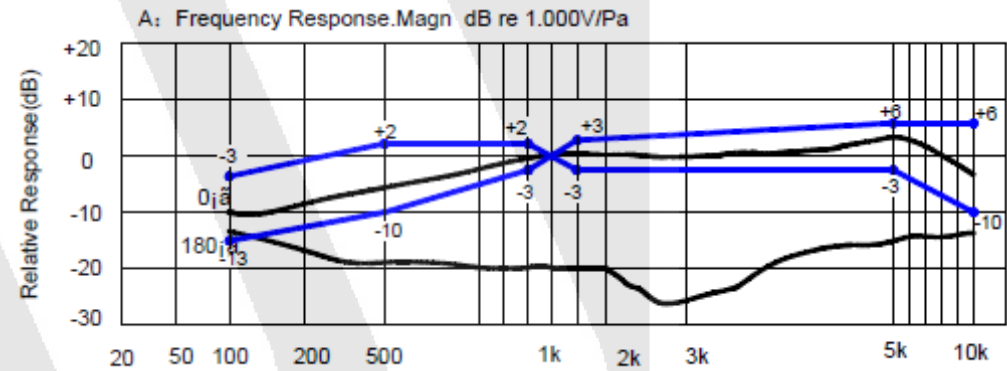


Parameter	Specification
Size	10 x 4.5mm
Impedance	680Ω
S/N ratio (A Weighted)	Min 68 dB
Sensitivity	-42 dB
Operating voltage	1.5 Vdc
Max Input SPL	115dB (THD ≤ 3%)



### Typical Frequency Response



\*Specifications subject to change

Part No. EU100506868W0MGR

Microphone size: 10mm

Web Site: [www.stetron.com](http://www.stetron.com)

