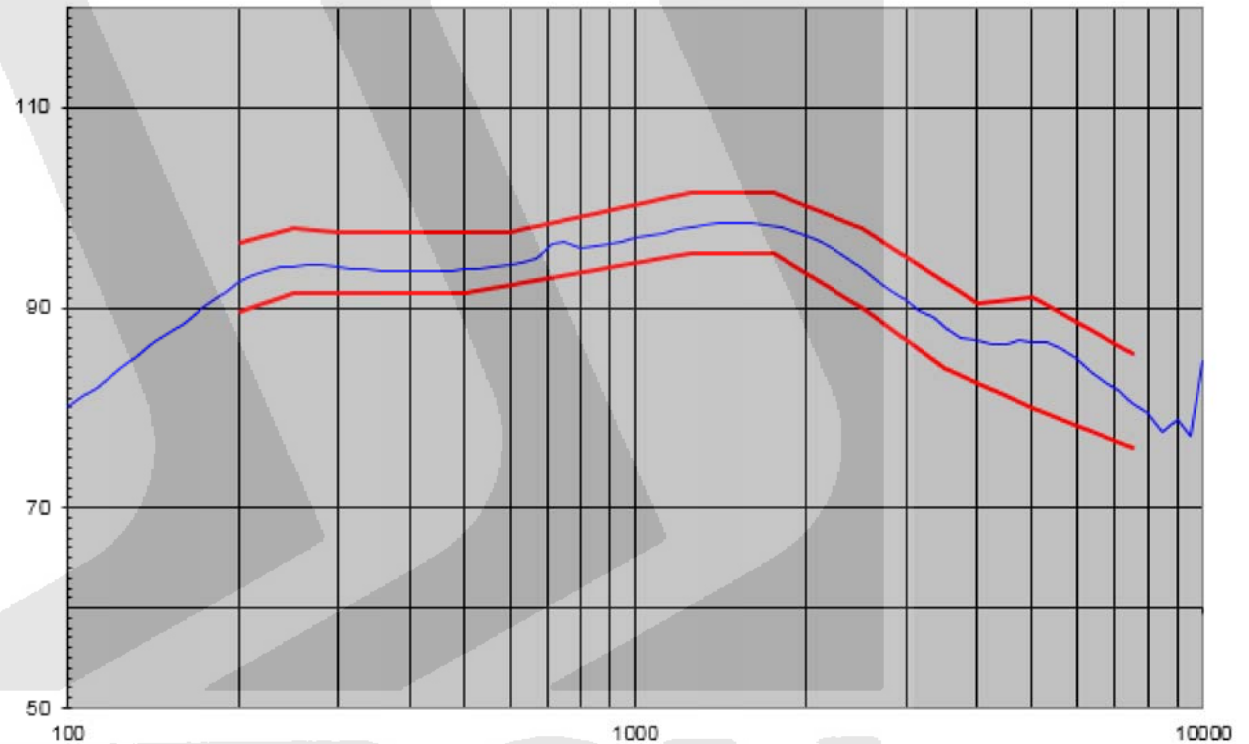
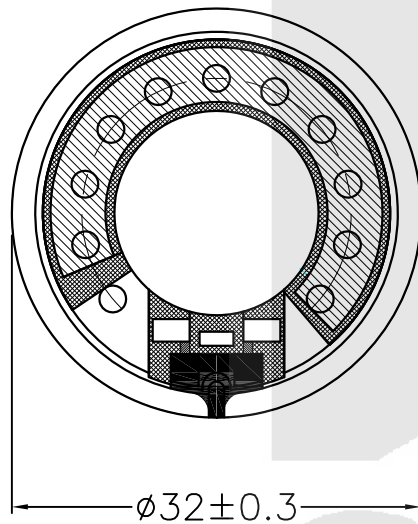
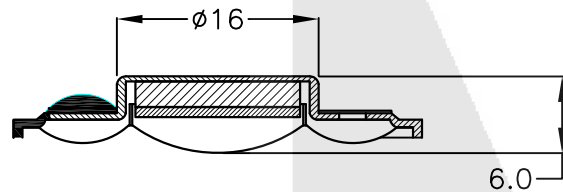


Parameter	Specification
Size	32mm
Impedance	$32\Omega \pm 20\%$
Rated Power	10mW/30mW
SPL	$97 \pm 3$ dB

Typical Frequency Response



\*Specifications subject to change

Part No. DR0032032NM02NFR

Speaker size: 32x6mm

Web Site: [www.stetron.com](http://www.stetron.com)

