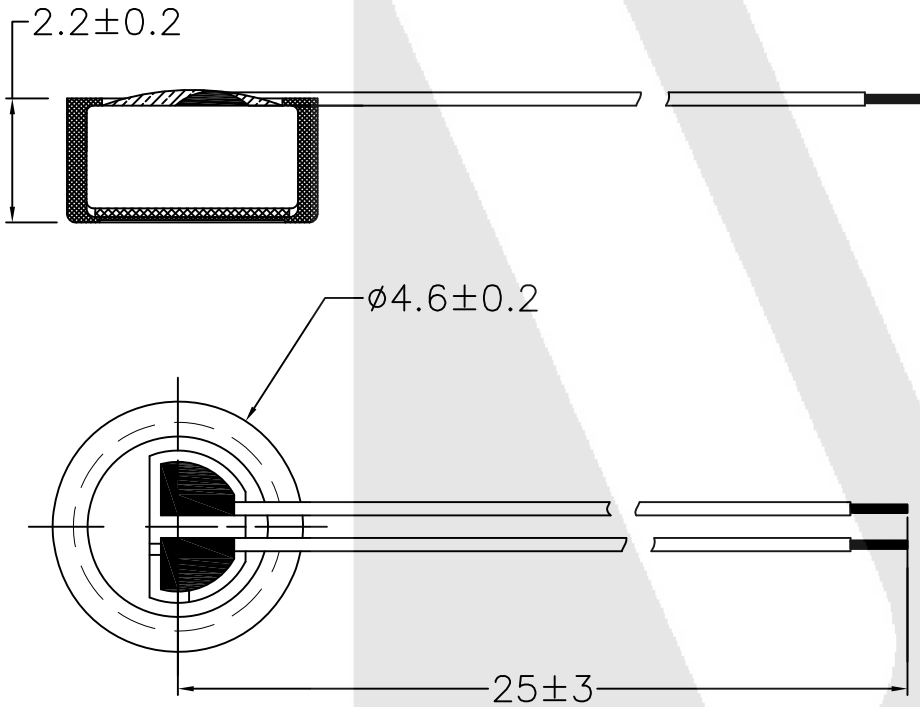
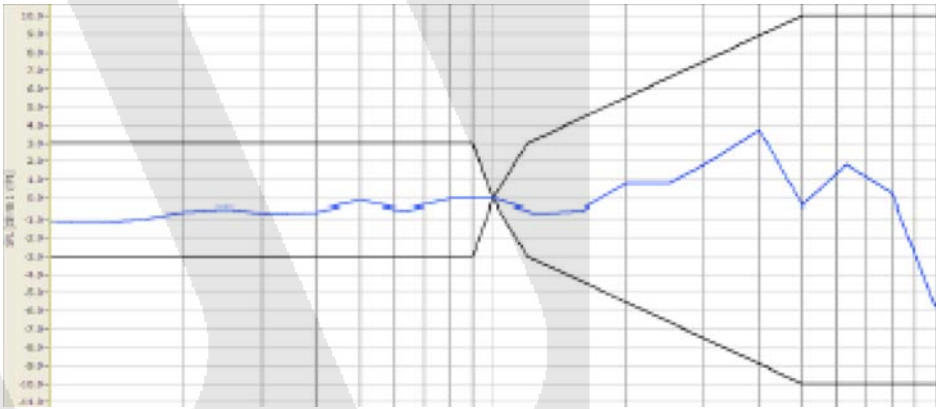


Parameter	Specification
Size	4 mm
Impedance	2.2 k $\Omega$
S/N ratio (A Weighted)	Min 58 dB
Sensitivity	-42+/- 3dB@1kHz
Operating voltage	2.0 Vdc
Max Input SPL	115dB (THD $\leq$ 3%)



Typical Frequency Response



\*Specifications subject to change

Part No. EO040122242W0MGR

Microphone size: 4mm

Web Site: [www.stetron.com](http://www.stetron.com)

