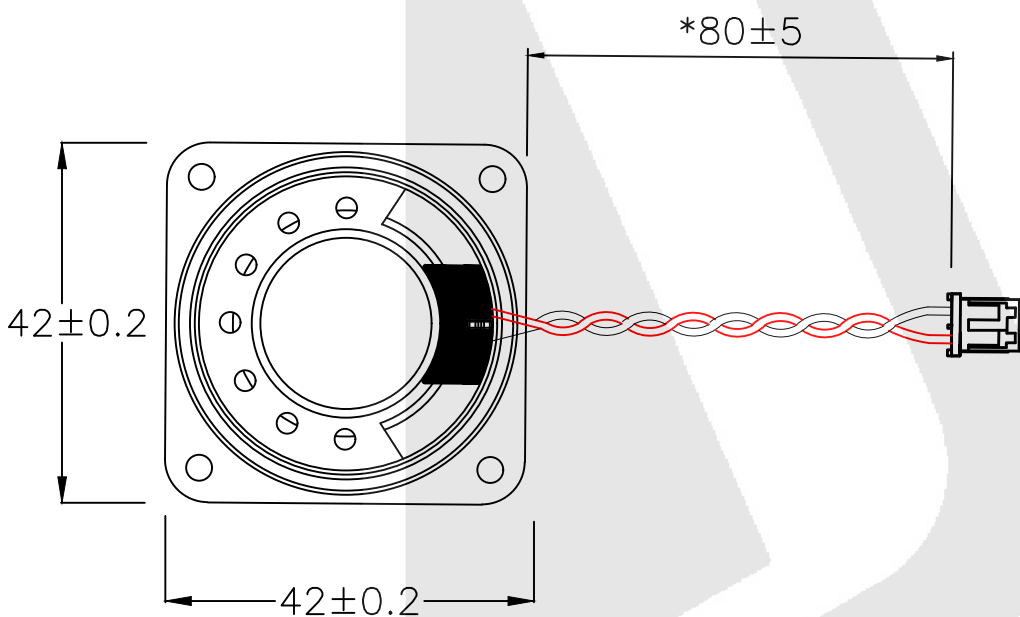
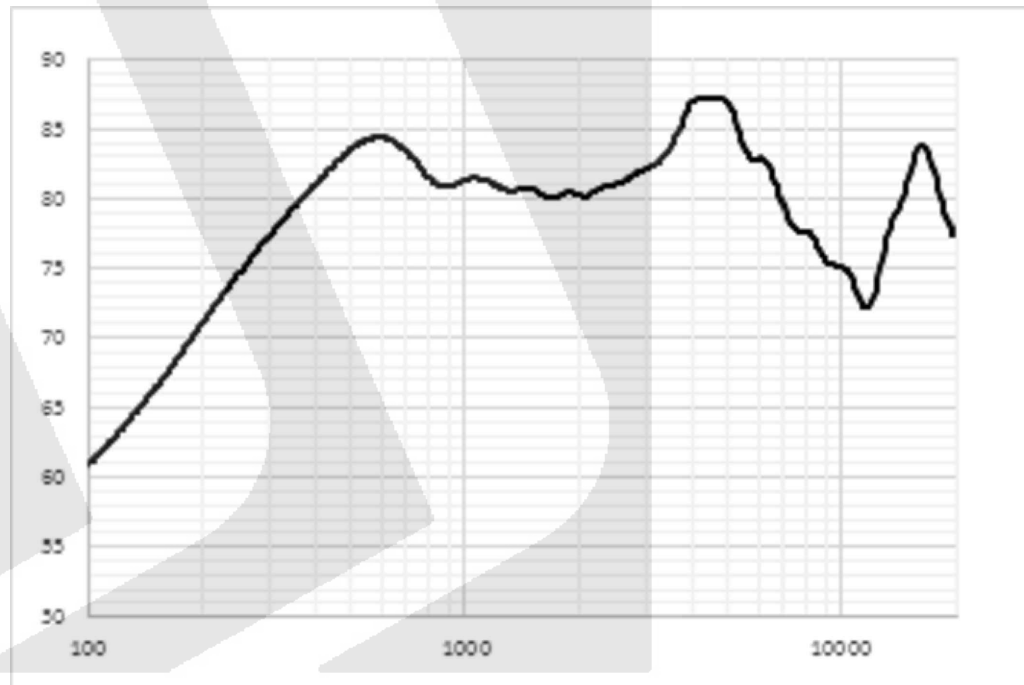


Parameter	Specification
Size	40 mm
Impedance	4Ω ± 15%
Input Power	2W/4W
Lowest Resonant Frequency, F <sub>0</sub>	350Hz +30%/-20%
SPL	82 ± 3 db @ 1W/1m
Effective Frequency Range	F <sub>0</sub> to 15.0 kHz



Typical Frequency Response



\*Specifications subject to change

Part No. D0040004NC223WER

Speaker size: 42x42mm

Web Site: [www.stetron.com](http://www.stetron.com)

