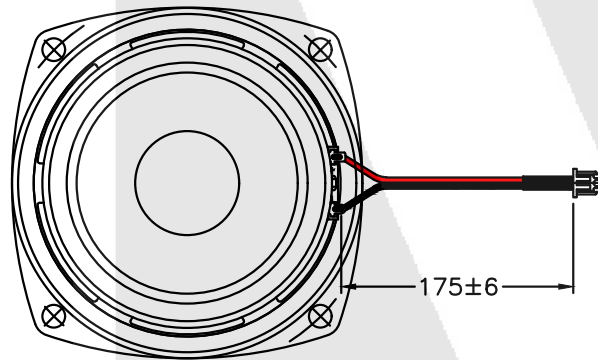
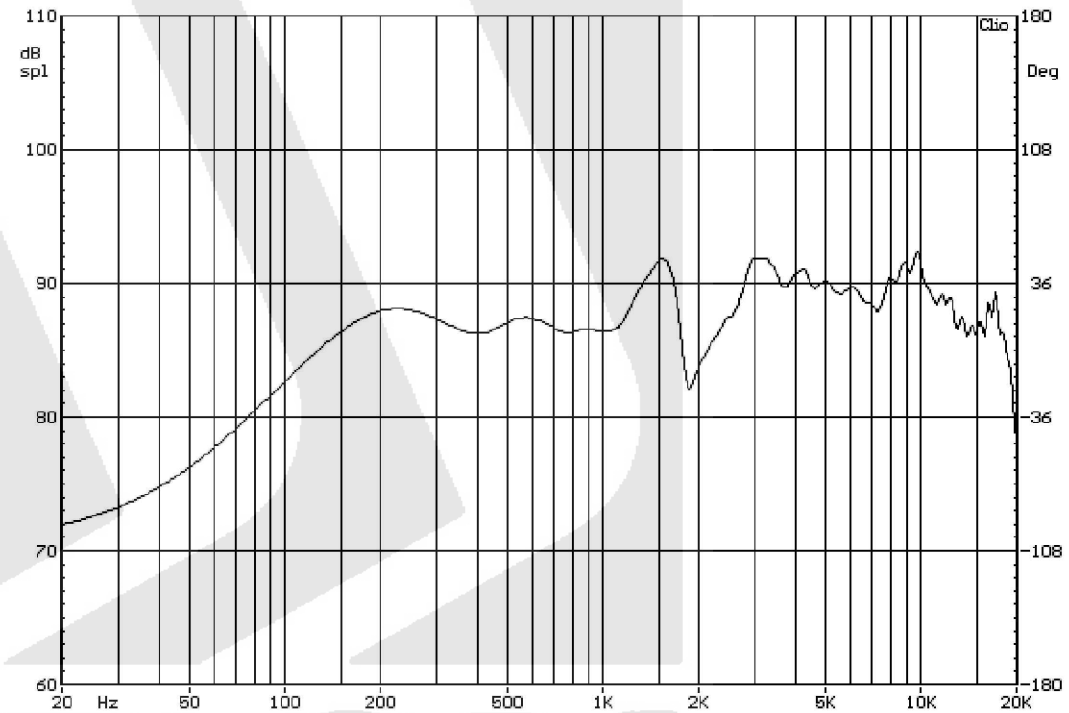


Parameter	Specification
Size	77 mm
Impedance	$8\Omega \pm 15\%$
Input Power	5W/10W
Lowest Resonant Frequency, $F_0$	$120\text{Hz} \pm 20\%$
SPL	$87 \pm 3 \text{ db @ } 1\text{W}/0.5\text{m}$
Effective Frequency Range	$F_0$ to 15.0 kHz



Typical Frequency Response



\*Specifications subject to change

Part No. D0077008NU26DAR

Speaker size: 77mm

Web Site: [www.stetron.com](http://www.stetron.com)

