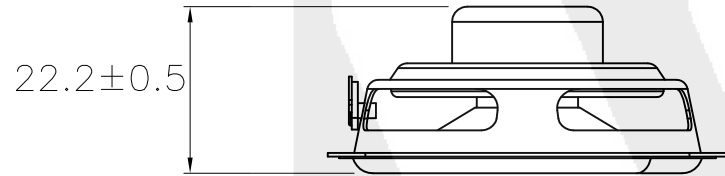
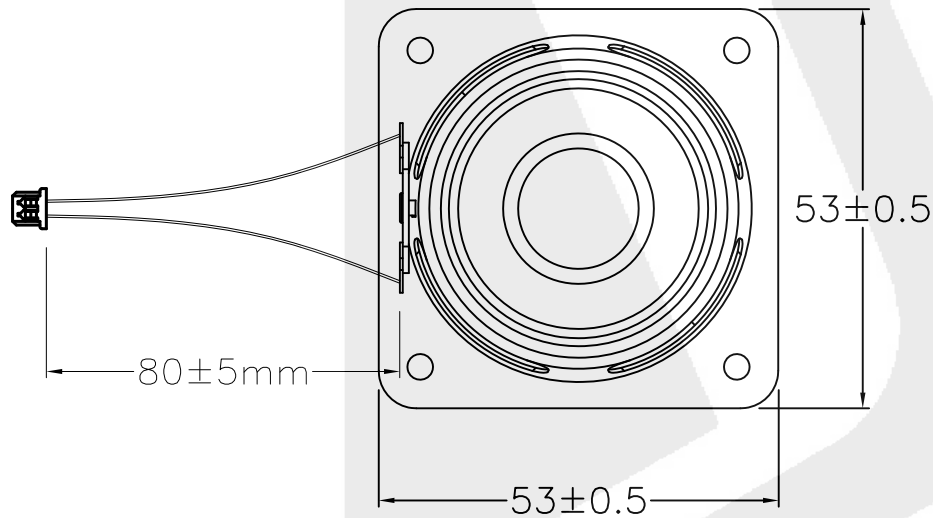
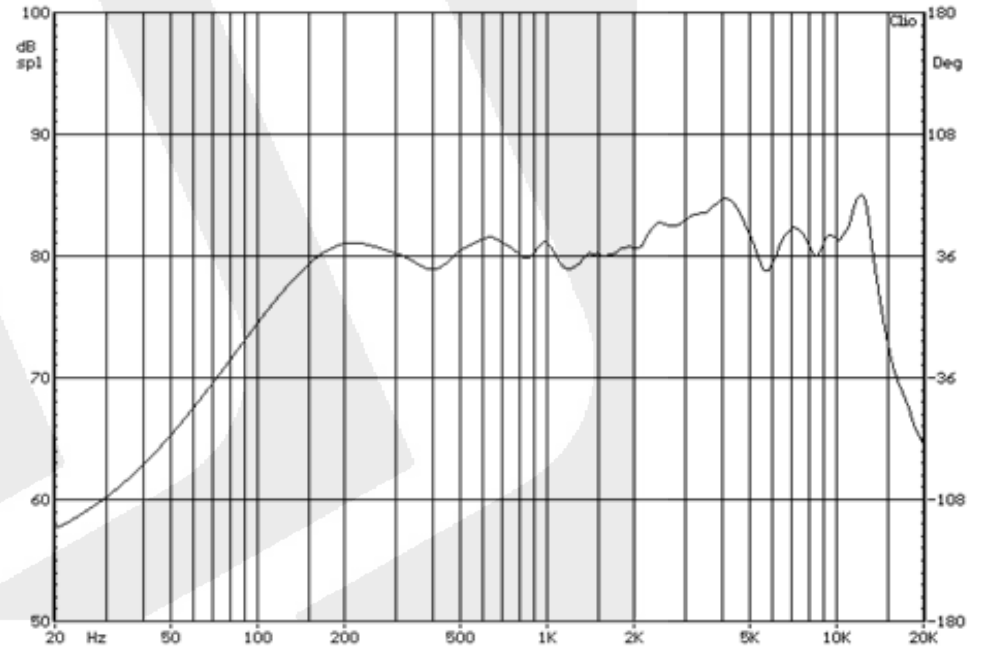


Parameter	Specification
Size	53 x 53 mm
Impedance	4Ω ± 15%
Input Power	3.0W/4.0W
Lowest Resonant Frequency, F ₀	150Hz ± 20%
SPL	82 ± 2 dB (1W/1m)
Effective Frequency Range	F ₀ to 10.0 kHz
V _{as}	0.22 L
Q _{ts}	0.83



Typical Frequency Response



*Specifications subject to change

Part No. D5353004NR011WER

Speaker size: 53 x 53 x 22.2mm

Web Site: www.stetron.com

