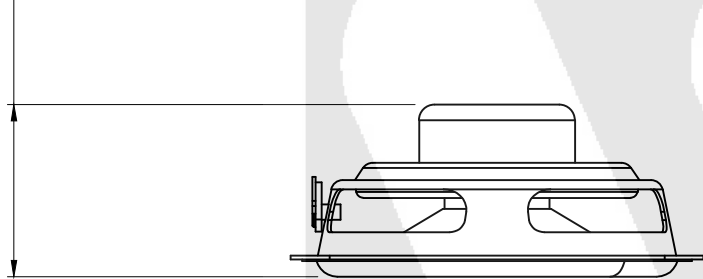
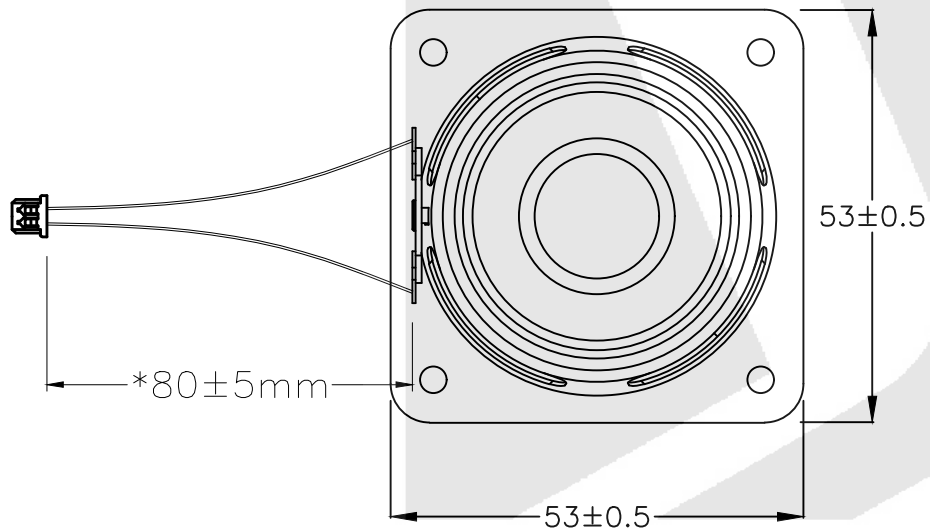
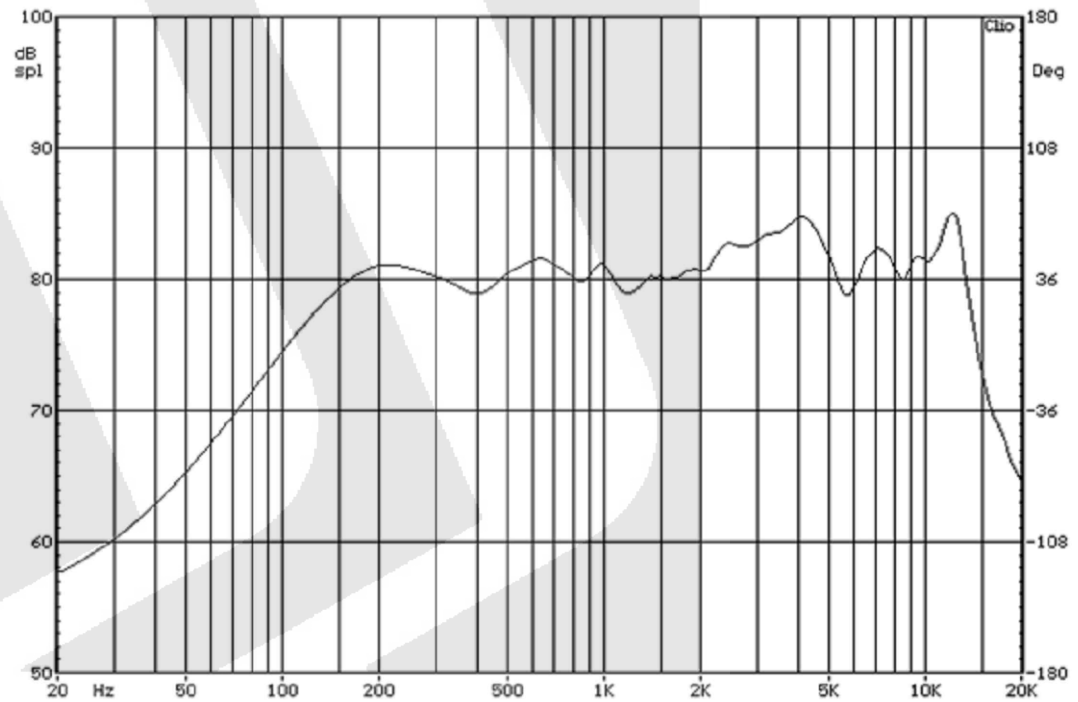


22.2±0.5



Parameter	Specification
Size	53 x 53 mm
Impedance	4Ω ± 15%
Input Power	3W/4W
Lowest Resonant Frequency, F ₀	150Hz ± 20%
SPL	82 ± 2 db @ 1W/1m
Effective Frequency Range	F ₀ to 10.0 kHz

Typical Frequency Response



*Specifications subject to change

Part No. D5353004NR011WER

Speaker size: 53 x 53 x 22.2mm

Web Site: www.stetron.com

