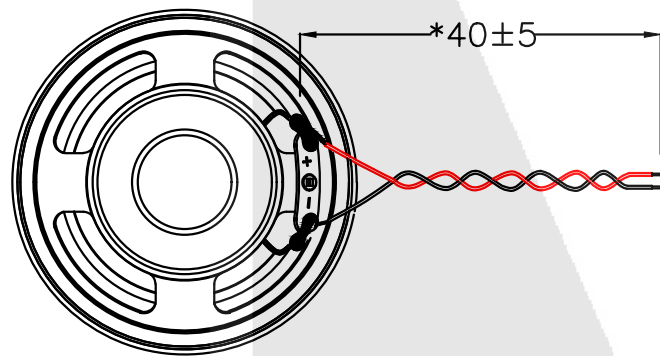
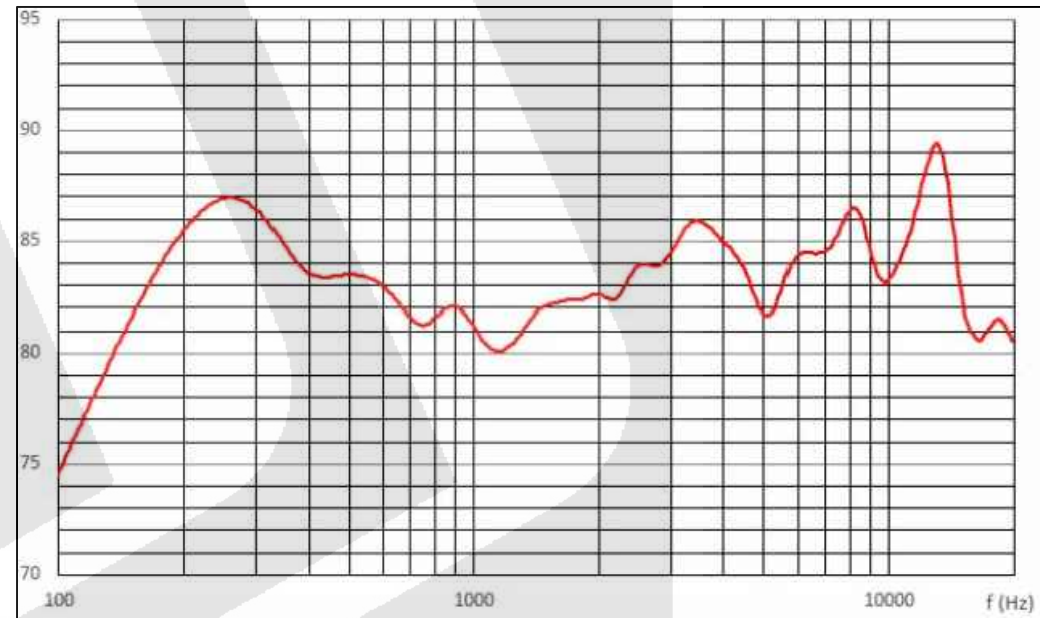


| Parameter | Specification |
|---|----------------------------|
| Size | 57 mm |
| Impedance | 8Ω ± 15% |
| Input Power | 0.5W/1.0W |
| Lowest Resonant Frequency, F ₀ | 200Hz ± 20% |
| SPL | 82 ± 3 db (0.5W/0.5m) |
| Effective Frequency Range | F ₀ to 20.0 kHz |



Typical Frequency Response



*Specifications subject to change

Part No. D0057008NP001AKR

Speaker size: 57mm

Web Site: www.stetron.com

