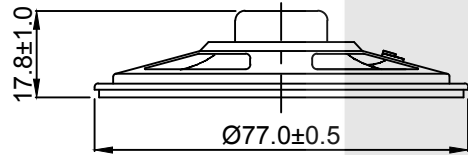
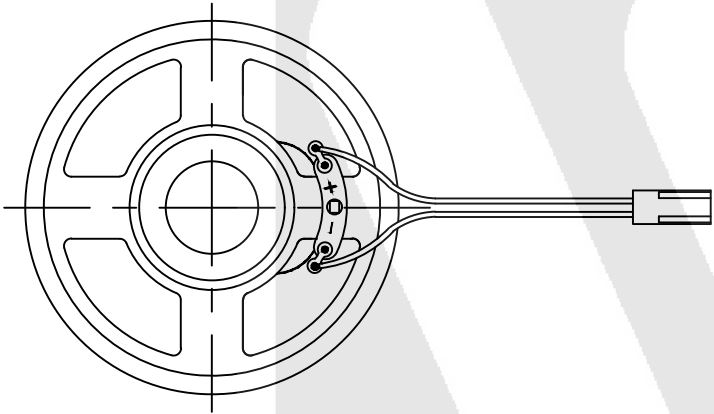
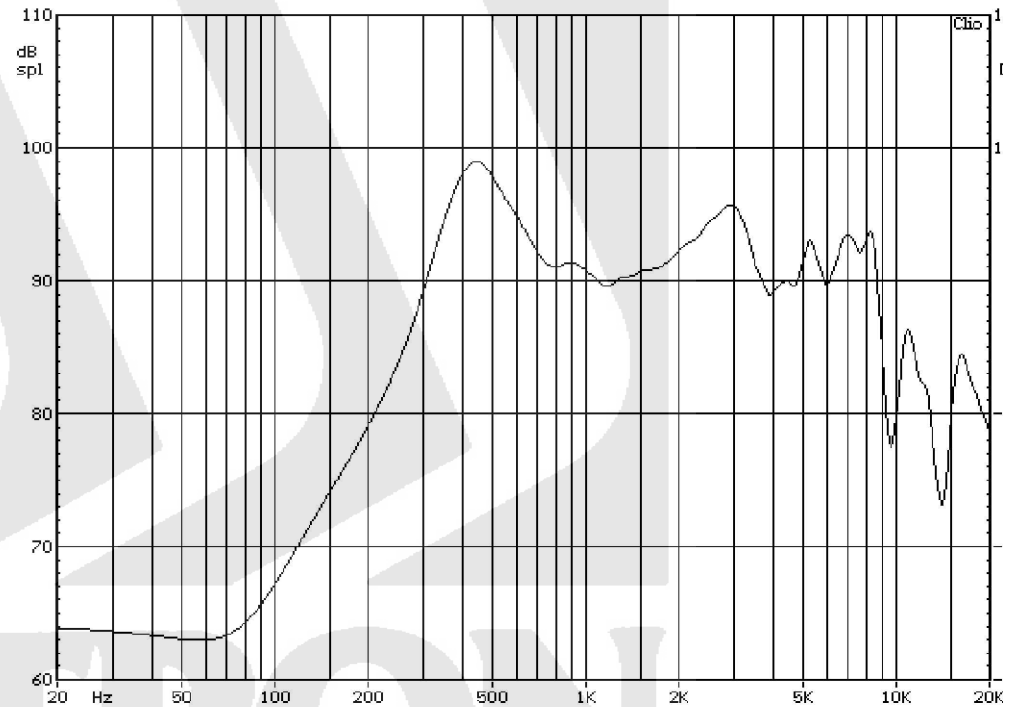


Parameter	Specification
Size	77mm
Impedance	40 $\Omega$ $\pm$ 15%
Input Power	0.5W/1.0W
Lowest Resonant Frequency, $F_0$	350 Hz $\pm$ 25%
SPL	92 $\pm$ 3 db @ 1W/0.5m
Effective Frequency Range	$F_0$ to 5 kHz



Typical Frequency Response



\*Specifications subject to change

Part No. D0077040NP14BAR

Speaker size: Ø77 mm

Web Site: [www.stetron.com](http://www.stetron.com)

