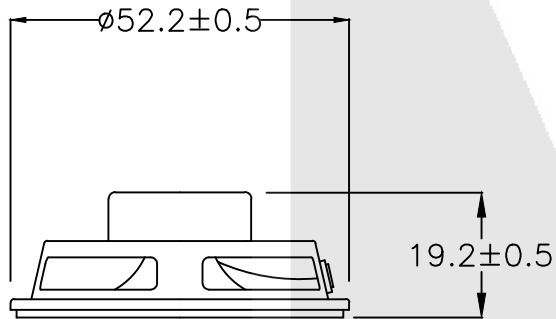
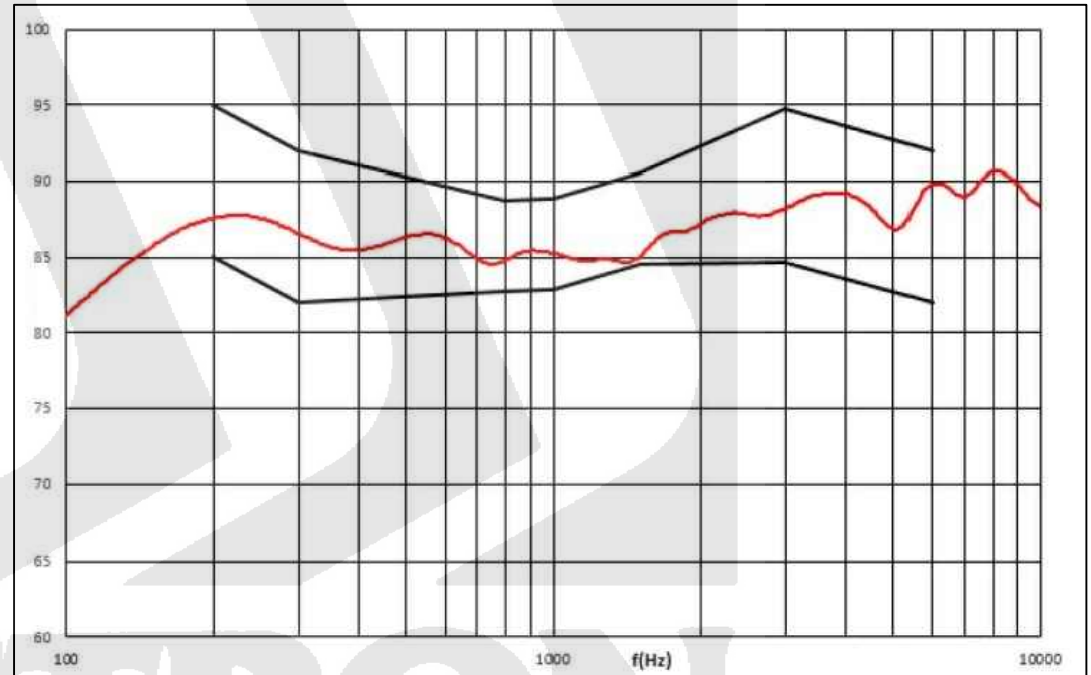


Parameter	Specification
Size	diameter=52.2mm height=19.2mm
Impedance	8 Ω ± 15%
Input Power	2.0W/3.0W
Lowest Resonant Frequency, F ₀	170 Hz ± 20%
SPL	86 ± 3 db @ 1W/0.5m
Effective Frequency Range	F ₀ to 20 kHz

Typical Frequency Response



*Specifications subject to change

Part No. D0052008NR257AR

Speaker size: Ø52 mm

Web Site: www.stetron.com

