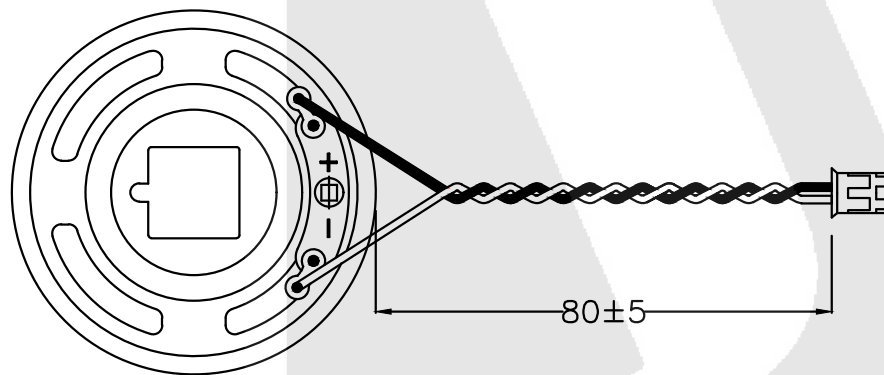
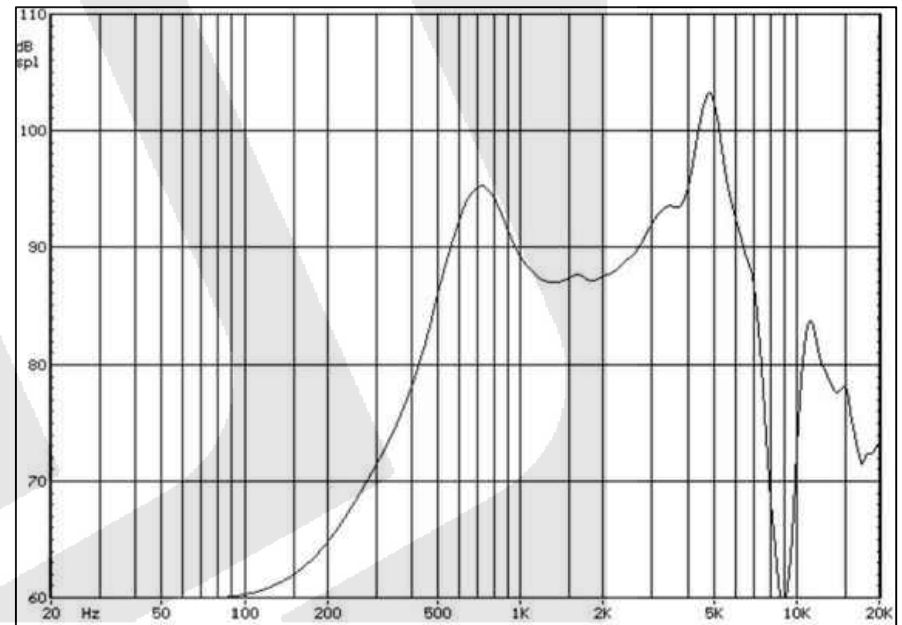


Parameter	Specification
Size	42 x 16 mm
Impedance	16Ω ± 15%
Input Power	1.0W/1.5W
Lowest Resonant Frequency, F ₀	750Hz ± 20%
SPL	86 ± 3 db (1.0W/0.5m)
Effective Frequency Range	F ₀ to 6.0 kHz

Typical Frequency Response



*Specifications subject to change

Part No. D0040016NM053AR

Speaker size: 42mm

Web Site: www.stetron.com

